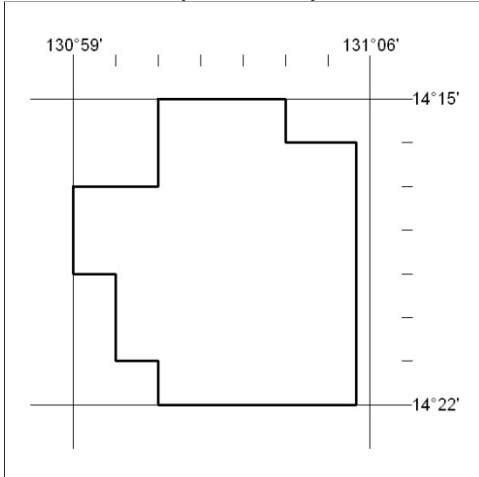


Mineral Titles Act

NOTICE OF LAND CEASING TO BE A MINERAL TITLE AREA

Title Type and Number: Exploration Licence 25222
 Area Ceased on: 19 December 2014
 Area: 39 Blocks, 123.21 sq kms
 Locality: JINDUCKIN
 Name of Holder/s: 100% SPECTRUM RARE EARTHS LIMITED*
 [ACN. 115 770 226]



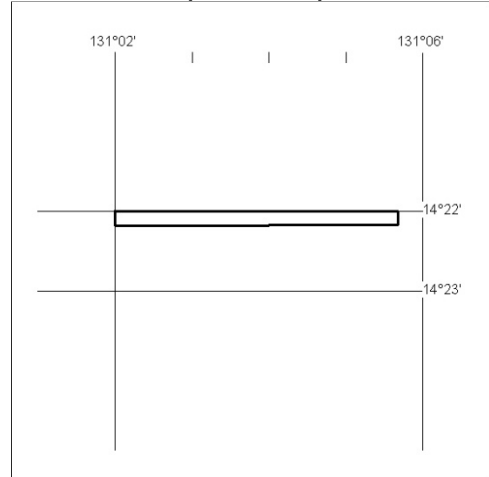
(Area now amalgamated into Exploration Licence 30136 under s102 – EL moratorium period does not apply)

5/15

Mineral Titles Act

NOTICE OF LAND CEASING TO BE A MINERAL TITLE AREA

Title Type and Number: Exploration Licence 29242
 Area Ceased on: 19 December 2014
 Area: 4 Blocks, 2.12 sq kms
 Locality: JINDUCKIN
 Name of Holder/s: 100% SPECTRUM RARE EARTHS LIMITED*
 [ACN. 115 770 226]



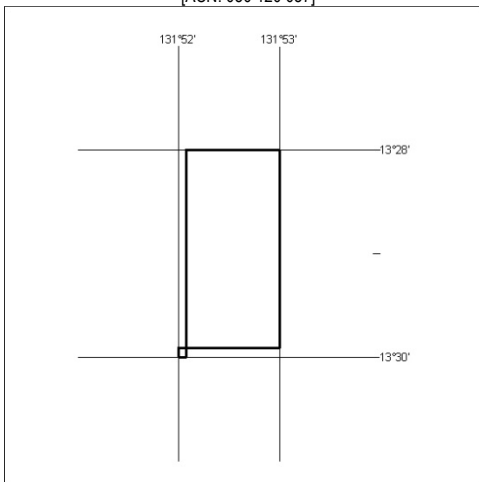
(Area now amalgamated into Exploration Licence 30136 under s102 – EL moratorium period does not apply)

7/15

Mineral Titles Act

NOTICE OF LAND CEASING TO BE A MINERAL TITLE AREA

Title Type and Number: Exploration Licence 25903
 Area Ceased on: 12 January 2015
 Area: 2 Blocks, 5.94 sq kms
 Locality: MCKINLAY RIVER
 Name of Holder/s: 100% WOODLEIGH NOMINEES PTY LIMITED
 [ACN. 050 120 057]

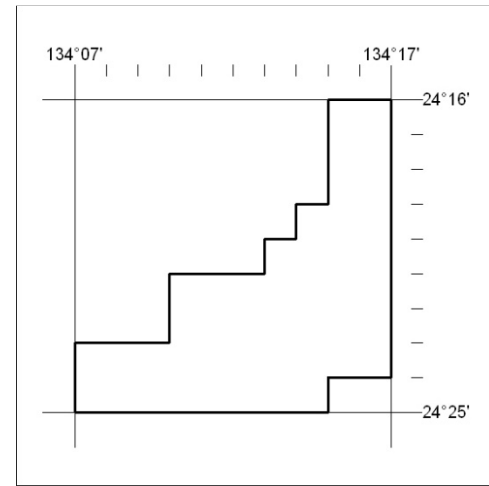


6/15

Mineral Titles Act

NOTICE OF LAND CEASING TO BE A MINERAL TITLE AREA

Title Type and Number: Exploration Licence 29449
 Area Ceased on: 12 January 2015
 Area: 45 Blocks, 140.80 sq kms
 Locality: SANTA TERESA
 Name of Holder/s: 100% BRYSON Garry Mount

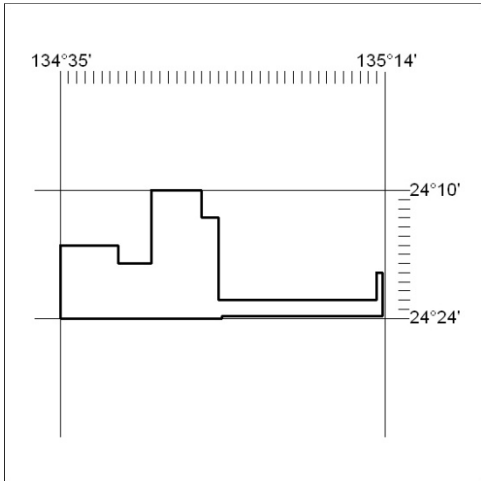


8/15

Mineral Titles Act

NOTICE OF LAND CEASING TO BE A MINERAL TITLE AREA

Title Type and Number: Exploration Licence 29450
 Area Ceased on: 12 January 2015
 Area: 229 Blocks, 696.54 sq kms
 Locality: PELLINORE
 Name of Holder/s: 100% BRYSON Garry Mount

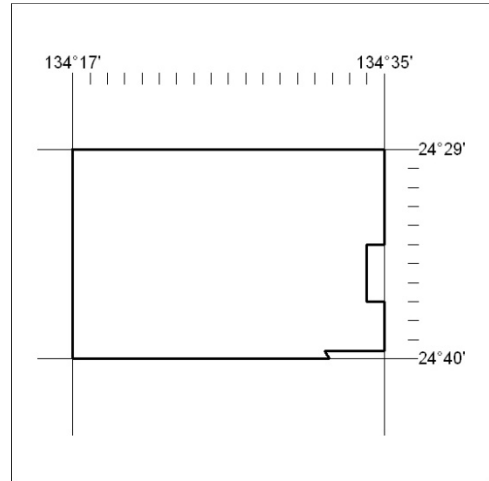


9/15

Mineral Titles Act

NOTICE OF LAND CEASING TO BE A MINERAL TITLE AREA

Title Type and Number: Exploration Licence 29452
 Area Ceased on: 12 January 2015
 Area: 195 Blocks, 604.78 sq kms
 Locality: RODINGA
 Name of Holder/s: 100% BRYSON Garry Mount

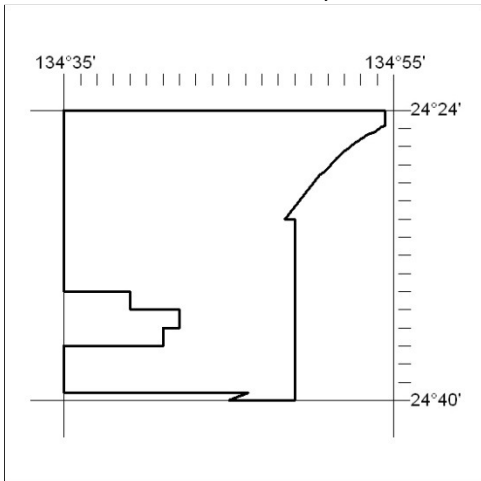


11/15

Mineral Titles Act

NOTICE OF LAND CEASING TO BE A MINERAL TITLE AREA

Title Type and Number: Exploration Licence 29451
 Area Ceased on: 12 January 2015
 Area: 229 Blocks, 678.35 sq kms
 Locality: PILLAR RANGE
 Name of Holder/s: 100% BRYSON Garry Mount



10/15