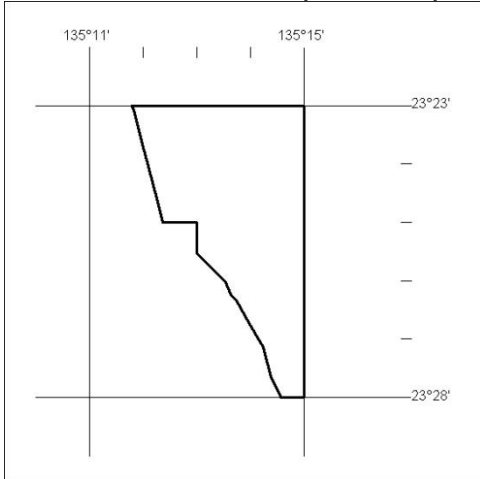


**Mineral Titles Act**

**NOTICE OF LAND CEASING TO BE A MINERAL TITLE AREA**

Title Type and Number: Exploration Licence 29922  
 Area Ceased on: 08 December 2015  
 Area: 12 Blocks, 29.98 sq kms  
 Locality: QUARTZ  
 Name of Applicant(s)/Holder(s): 100% ONEVA EXPLORATION PTY LIMITED [ACN. 072 908 582]

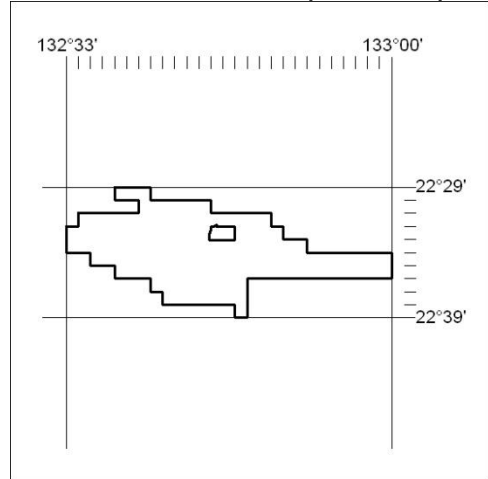


681/15

**Mineral Titles Act**

**NOTICE OF LAND CEASING TO BE A MINERAL TITLE AREA**

Title Type and Number: Exploration Licence 24548  
 Area Ceased on: 08 December 2015  
 Area: 125 Blocks, 395.76 sq kms  
 Locality: NAPPERBY  
 Name of Applicant(s)/Holder(s): 100% ARAFURA RESOURCES LIMITED [ACN. 080 933 455]

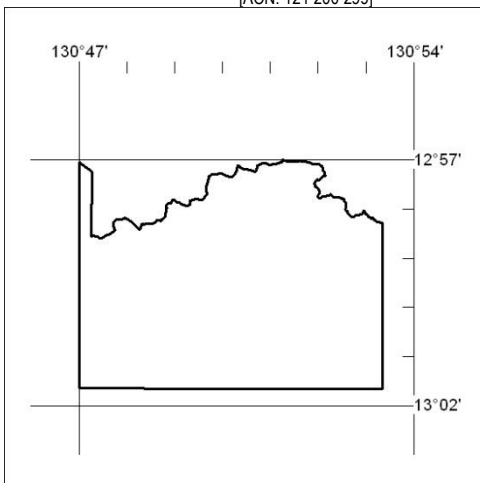


683/15

**Mineral Titles Act**

**NOTICE OF LAND CEASING TO BE A MINERAL TITLE AREA**

Title Type and Number: Exploration Licence 25717  
 Area Ceased on: 08 December 2015  
 Area: 35 Blocks, 83.94 sq kms  
 Locality: BYNOE  
 Name of Applicant(s)/Holder(s): 100% TERRITORY MINERALS LTD\* [ACN. 121 200 299]



682/15