

MN51/17

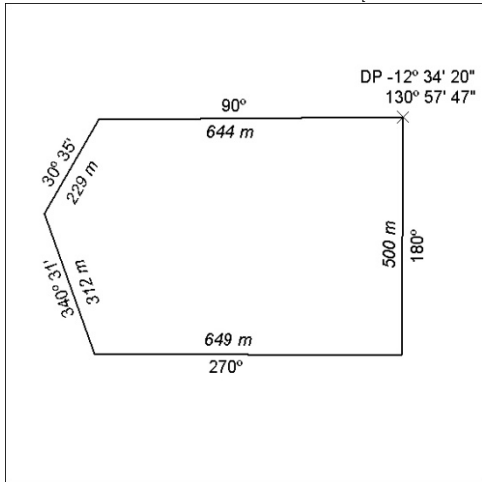
DARWIN

13 April 2017

Mineral Titles Act

NOTICE OF LAND CEASING TO BE A MINERAL TITLE

Title Type and Number: Extractive Mineral Permit (Northern) 1137
 Area ceased on: 12 April 2017
 Area: 35.00 Hectare
 Locality: BYNOE
 Name of Applicants(s)/Holder(s): 100% A AND SF MADDALOZZO PTY. LIMITED [ACN. 009 624 015]

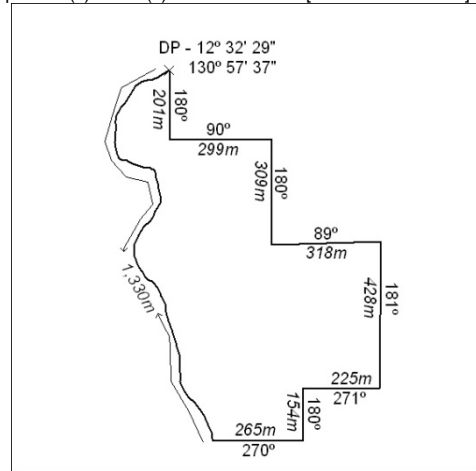


193/17

Mineral Titles Act

NOTICE OF LAND CEASING TO BE A MINERAL TITLE

Title Type and Number: Mineral Authority 22880
 Area ceased on: 12 April 2017
 Area: 45.00 Hectare
 Locality: BYNOE
 Name of Applicants(s)/Holder(s): 100% OSTOJIC GROUP PTY LTD* [ACN. 009 629 805]

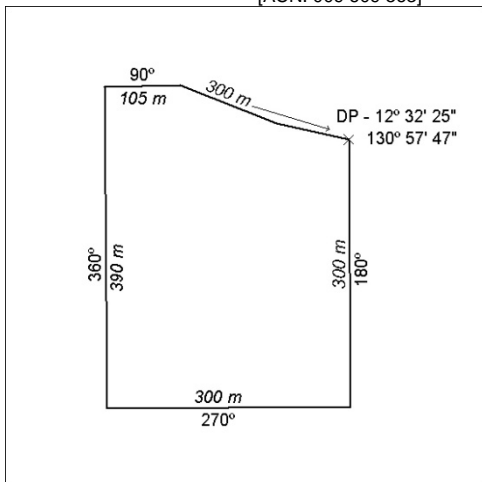


195/17

Mineral Titles Act

NOTICE OF LAND CEASING TO BE A MINERAL TITLE

Title Type and Number: Extractive Mineral Permit 23742
 Area ceased on: 12 April 2017
 Area: 10.00 Hectare
 Locality: BYNOE
 Name of Applicants(s)/Holder(s): 100% INNOCENTE TRANSPORT PTY. LIMITED [ACN. 009 609 563]

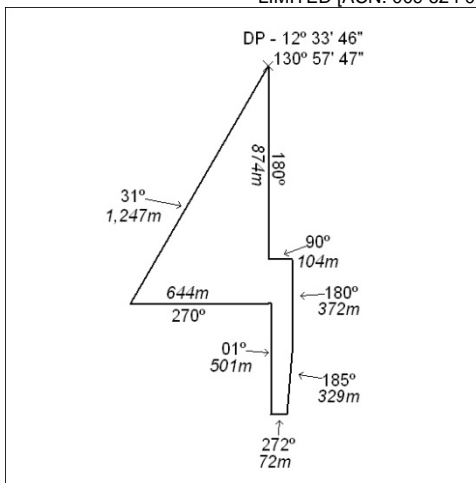


194/17

Mineral Titles Act

NOTICE OF LAND CEASING TO BE A MINERAL TITLE

Title Type and Number: Mineral Authority 22881
 Area ceased on: 12 April 2017
 Area: 41.00 Hectare
 Locality: BYNOE
 Name of Applicants(s)/Holder(s): 100% A AND SF MADDALOZZO PTY. LIMITED [ACN. 009 624 015]



196/17

MN51/17

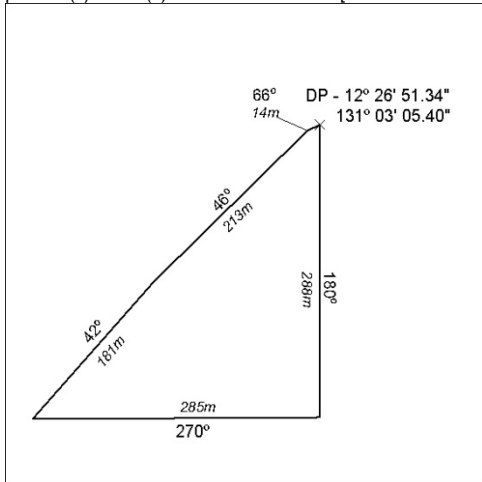
DARWIN

13 April 2017

Mineral Titles Act

NOTICE OF LAND CEASING TO BE A MINERAL TITLE

Title Type and Number: Mineral Authority 30082
 Area ceased on: 03 April 2017
 Area: 4.00 Hectare
 Locality: KOOLPINYAH
 Name of Applicant(s)/Holder(s): 100% EARTHWORKS NT PTY LTD [ACN. 145 461 169]

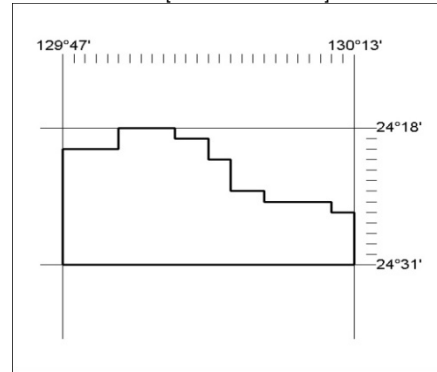


197/17

Mineral Titles Act

NOTICE OF GRANT OF A MINERAL TITLE

Title Type and Number: Exploration Licence 30151
 Number: 15 March 2017, for a period of 6 Years
 Area: 243 Blocks, 760.35 sq kms
 Locality: NEALE
 Name of Holder/s: 100% GEMPART (NT) PTY LTD* [ACN. 081 859 896]



Area granted is indicated above. The titleholder is not permitted to exercise occupational rights on any land that is subject to a development title, or an application for a development title. Any land the subject of a Reserved Land gazettal under the *Mineral Titles Act* and all land vested in the Commonwealth of Australia is also excluded by description but not excised from the grant area.

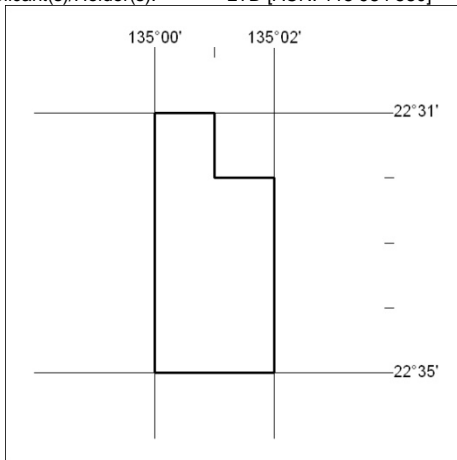
199/17

Mineral Titles Act

NOTICE OF LAND CEASING TO BE A MINERAL TITLE

AREA

Title Type and Number: Exploration Licence 27645
 Area Ceased on: 13 April 2017
 Area: 7 Blocks, 22.20 sq kms
 Locality: DELNY
 Name of Applicant(s)/Holder(s): 100% FAR RESOURCES PTY LTD [ACN. 115 984 580]

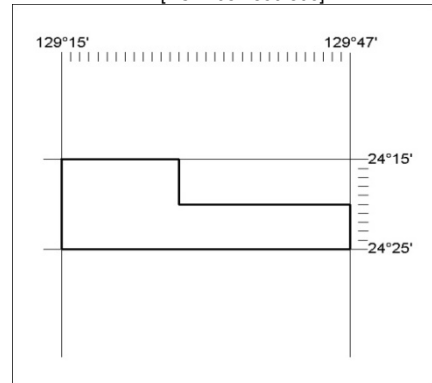


198/17

Mineral Titles Act

NOTICE OF GRANT OF A MINERAL TITLE

Title Type and Number: Exploration Licence 30253
 Number: 15 March 2017, for a period of 6 Years
 Area: 225 Blocks, 704.70 sq kms
 Locality: SOUTHS RANGE
 Name of Holder/s: 100% GEMPART (NT) PTY LTD* [ACN. 081 859 896]



Area granted is indicated above. The titleholder is not permitted to exercise occupational rights on any land that is subject to a development title, or an application for a development title. Any land the subject of a Reserved Land gazettal under the *Mineral Titles Act* and all land vested in the Commonwealth of Australia is also excluded by description but not excised from the grant area.

200/17