

**MN155/17**

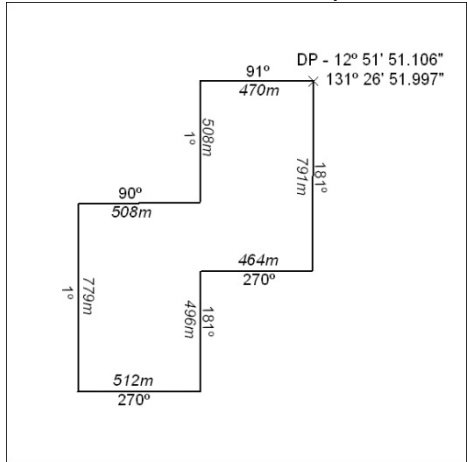
**DARWIN**

**20 November 2017**

**Mineral Titles Act**

**NOTICE OF LAND CEASING TO BE A MINERAL TITLE**

Title Type and Number: Mineral Lease 30000  
 Area ceased on: 20 November 2017  
 Area: 77.00 Hectare  
 Locality: NOONAMAH  
 Name of Applicant(s)/Holder(s): 50% R.U.B. PTY. LTD. [ACN. 009 620 660], 25% FALKO Wladimir, 12.5% MAZLIN Arthur James, 12.5% N.T. GOLD PTY LTD \* [ACN. 009 625 870]

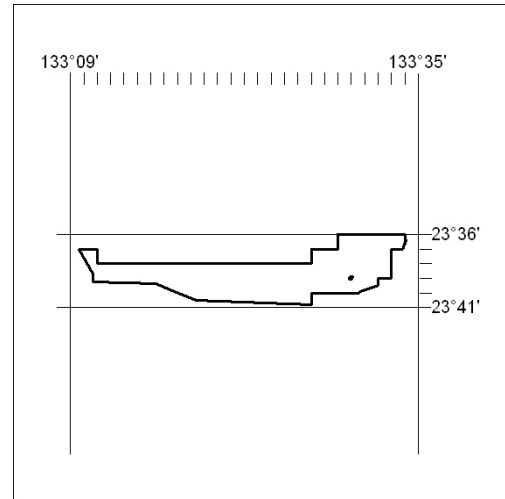


**592/17**

**Mineral Titles Act**

**NOTICE OF LAND CEASING TO BE A MINERAL TITLE AREA**

Title Type and Number: Exploration Licence 28154  
 Area Ceased on: 17 November 2017  
 Area: 70 Blocks, 180.83 sq kms  
 Locality: MACDONNELL RANGES  
 Name of Applicant(s)/Holder(s): 100% CROSSLAND NICKEL PTY LTD\* [ACN. 099 477 915]

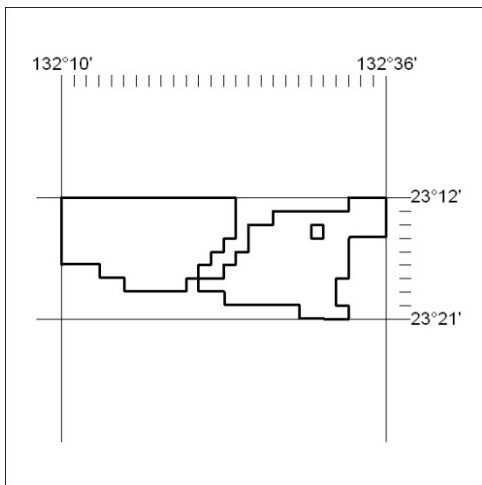


**594/17**

**Mineral Titles Act**

**NOTICE OF LAND CEASING TO BE A MINERAL TITLE AREA**

Title Type and Number: Exploration Licence 27283  
 Area Ceased on: 16 November 2017  
 Area: 153 Blocks, 475.39 sq kms  
 Locality: GLEN HELEN  
 Name of Applicant(s)/Holder(s): 100% CROSSLAND NICKEL PTY LTD\* [ACN. 099 477 915]

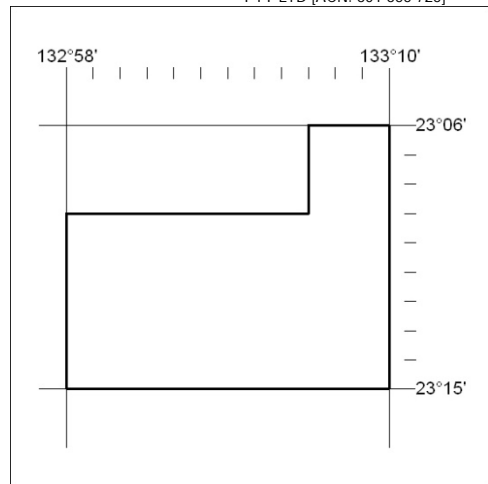


**593/17**

**Mineral Titles Act**

**NOTICE OF LAND CEASING TO BE A MINERAL TITLE AREA**

Title Type and Number: Exploration Licence 28796  
 Area Ceased on: 17 November 2017  
 Area: 81 Blocks, 255.74 sq kms  
 Locality: ANBURLA  
 Name of Applicant(s)/Holder(s): 56.28% CROSSLAND NICKEL PTY LTD\* [ACN. 099 477 915], 43.72% ESSENTIAL MINING RESOURCES PTY LTD [ACN. 601 655 725]



**595/17**

**MN155/17**

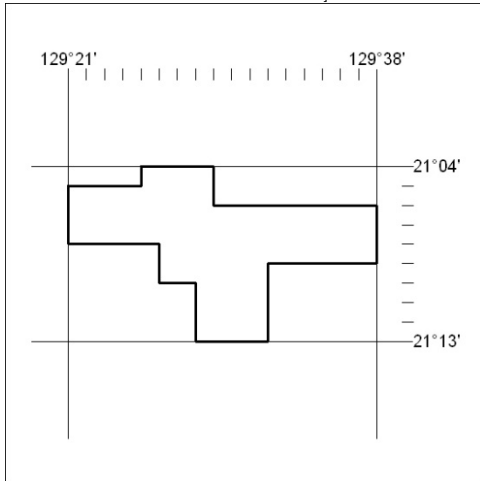
**DARWIN**

**20 November 2017**

**Mineral Titles Act**

**NOTICE OF LAND CEASING TO BE A MINERAL TITLE AREA**

Title Type and Number: Exploration Licence 27511  
 Area Ceased on: 18 November 2017  
 Area: 76 Blocks, 243.46 sq kms  
 Locality: WICKHAM  
 Name of Applicant(s)/Holder(s): 85% RAMELIUS RESOURCES LIMITED [ACN. 001 717 540], 15% TYCHEAN TANAMI PTY LTD\* [ACN. 137 135 847]

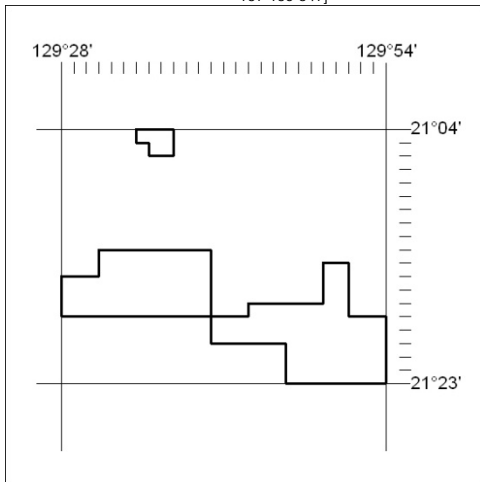


**596/17**

**Mineral Titles Act**

**NOTICE OF LAND CEASING TO BE A MINERAL TITLE AREA**

Title Type and Number: Exploration Licence 29829  
 Area Ceased on: 18 November 2017  
 Area: 125 Blocks, 400.06 sq kms  
 Locality: WICKHAM  
 Name of Applicant(s)/Holder(s): 85% RAMELIUS RESOURCES LIMITED [ACN. 001 717 540], 15% TYCHEAN TANAMI PTY LTD\* [ACN. 137 135 847]



**597/17**