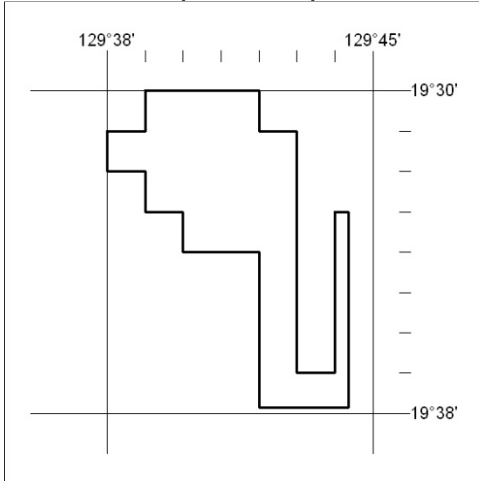


Mineral Titles Act

NOTICE OF LAND CEASING TO BE A MINERAL TITLE AREA

Title Type and Number: Exploration Licence 23934
 Area Ceased on: 08 January 2014
 Area: 25 Blocks, 69.36 sq kms
 Locality: TANAMI
 Name of Holder/s: 100% NORTHERN MINERALS LIMITED *
 [ACN. 119 966 353]

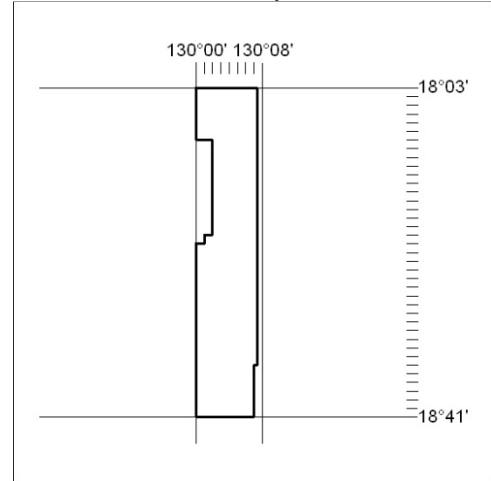


28/14

Mineral Titles Act

NOTICE OF LAND CEASING TO BE A MINERAL TITLE AREA

Title Type and Number: Exploration Licence 26804
 Area Ceased on: 08 January 2014
 Area: 275 Blocks, 833.64 sq kms
 Locality: STYLES
 Name of Holder/s: 100% INDEPENDENCE GROUP NL* [ACN.
 092 786 304]

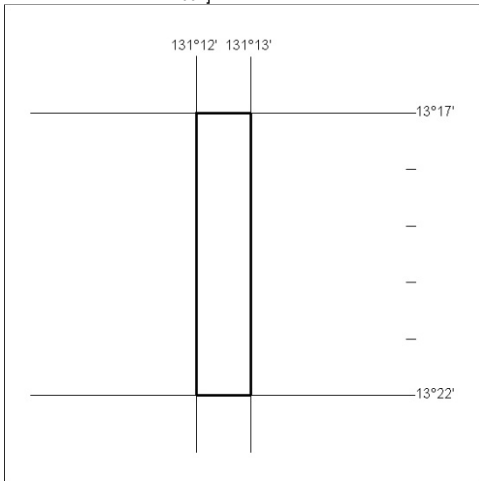


30/14

Mineral Titles Act

NOTICE OF LAND CEASING TO BE A MINERAL TITLE AREA

Title Type and Number: Exploration Licence 25201
 Area Ceased on: 08 January 2014
 Area: 5 Blocks, 16.71 sq kms
 Locality: BATCHELOR
 Name of Holder/s: 100% WHITVISTA PTY LTD [ACN. 074 751
 992]

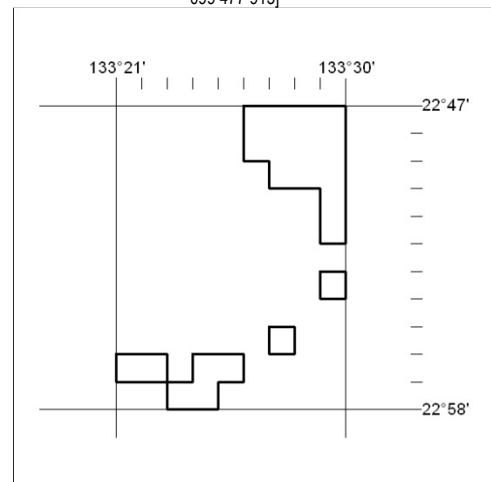


29/14

Mineral Titles Act

NOTICE OF LAND CEASING TO BE A MINERAL TITLE AREA

Title Type and Number: Exploration Licence 27338
 Area Ceased on: 08 January 2014
 Area: 21 Blocks, 66.46 sq kms
 Locality: AILERON
 Name of Holder/s: 100% CROSSLAND NICKEL PTY LTD* [ACN.
 099 477 915]



31/14

Mineral Titles Act

NOTICE OF LAND CEASING TO BE A MINERAL TITLE AREA

Title Type and Number: Exploration Licence 27373
Area Ceased on: 08 January 2014
Area: 27 Blocks, 85.98 sq kms
Locality: VAUGHAN
Name of Holder/s: 100% PARADIGM MEXICO PTY LIMITED
[ACN. 108 506 207]

