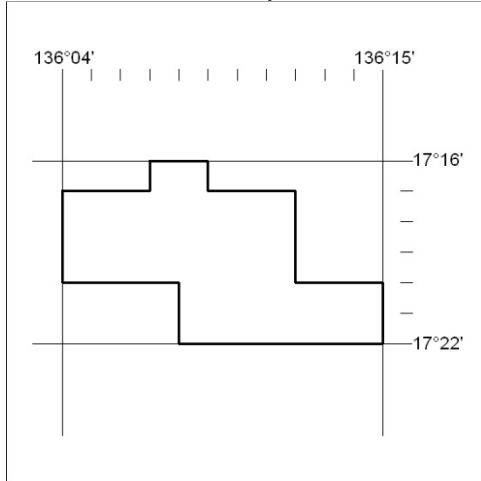


**Mineral Titles Act**

**NOTICE OF LAND CEASING TO BE A MINERAL TITLE AREA**

Title Type and Number: Exploration Licence 27895  
 Area Ceased on: 12 December 2014  
 Area: 40 Blocks, 131.15 sq kms  
 Locality: LANCEWOOD  
 Name of Holder/s: 100% MERLIN DIAMONDS LIMITED\* [ACN. 009 153 119]

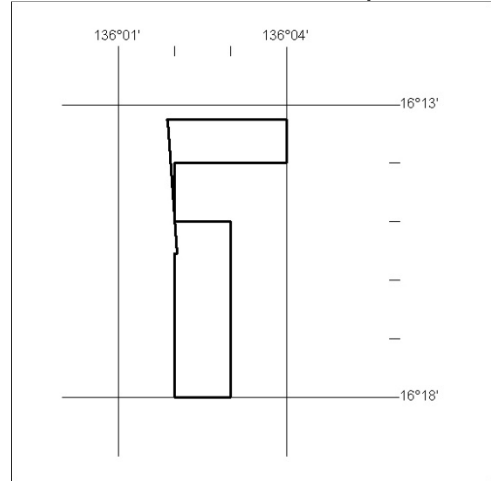


529/14

**Mineral Titles Act**

**NOTICE OF LAND CEASING TO BE A MINERAL TITLE AREA**

Title Type and Number: Exploration Licence 28676  
 Area Ceased on: 12 December 2014  
 Area: 9 Blocks, 15.22 sq kms  
 Locality: BORROLOOLA  
 Name of Holder/s: 100% AUSTRALIAN MANGANESE RESOURCES PTY LTD \* [ACN. 129 524 161]

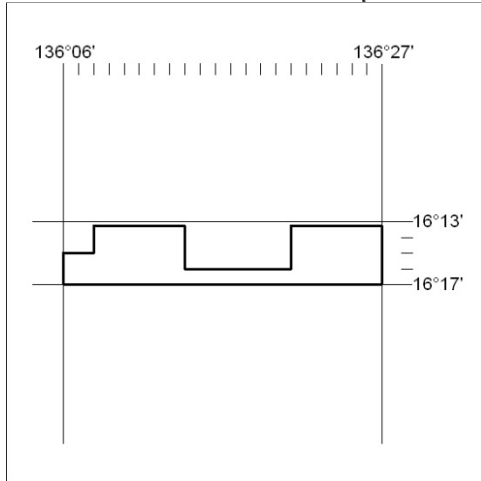


531/14

**Mineral Titles Act**

**NOTICE OF LAND CEASING TO BE A MINERAL TITLE AREA**

Title Type and Number: Exploration Licence 28641  
 Area Ceased on: 12 December 2014  
 Area: 59 Blocks, 184.97 sq kms  
 Locality: BORROLOOLA  
 Name of Holder/s: 100% AUSTRALIAN MANGANESE RESOURCES PTY LTD \* [ACN. 129 524 161]

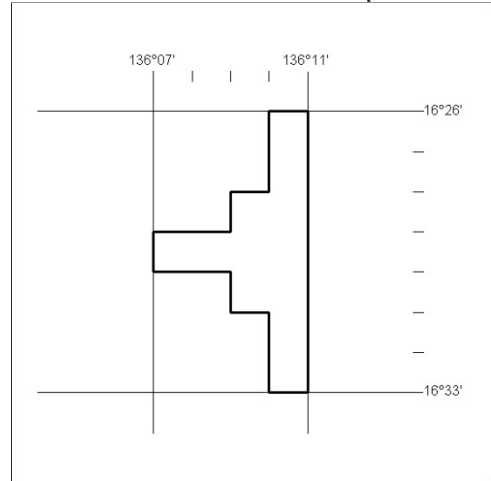


530/14

**Mineral Titles Act**

**NOTICE OF LAND CEASING TO BE A MINERAL TITLE AREA**

Title Type and Number: Exploration Licence 28640  
 Area Ceased on: 12 December 2014  
 Area: 12 Blocks, 39.52 sq kms  
 Locality: BORROLOOLA  
 Name of Holder/s: 100% AUSTRALIAN MANGANESE RESOURCES PTY LTD \* [ACN. 129 524 161]

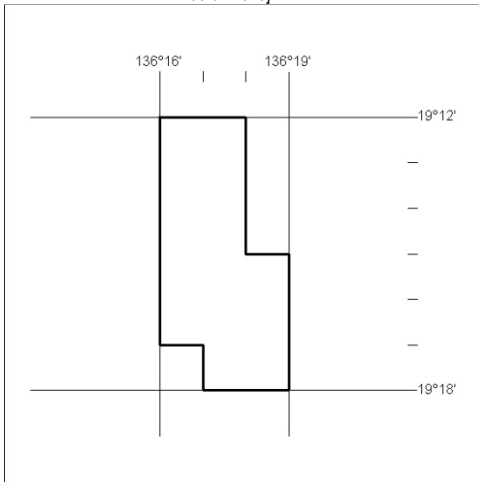


532/14

### Mineral Titles Act

#### NOTICE OF LAND CEASING TO BE A MINERAL TITLE AREA

Title Type and Number: Exploration Licence 29197  
 Area Ceased on: 17 December 2014  
 Area: 14 Blocks, 45.39 sq kms  
 Locality: ALROY  
 Name of Holder/s: 100% FSL CORPORATION PTY LTD [ACN. 163 612 575]

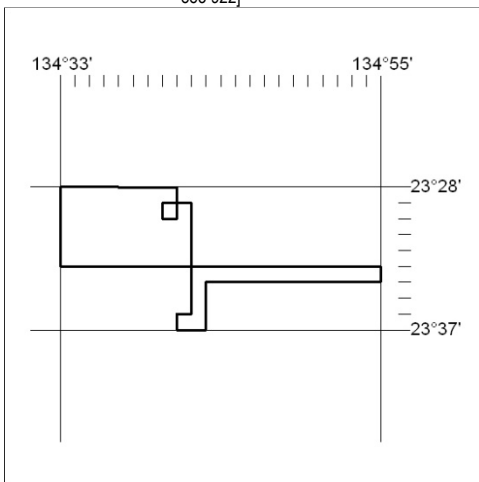


533/14

### Mineral Titles Act

#### NOTICE OF LAND CEASING TO BE A MINERAL TITLE AREA

Title Type and Number: Exploration Licence 29501  
 Area Ceased on: 18 December 2014  
 Area: 60 Blocks, 188.57 sq kms  
 Locality: FERGUSSON RIVER  
 Name of Holder/s: 100% MITHRIL RESOURCES LTD [ACN. 099 883 922]



534/14