

MN122/17

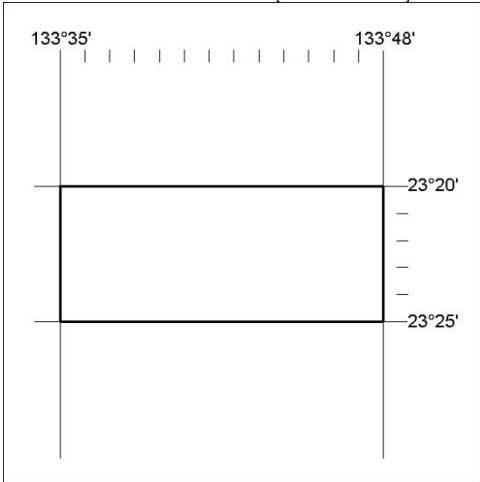
DARWIN

18 September 2017

Mineral Titles Act

NOTICE OF LAND CEASING TO BE A MINERAL TITLE AREA

Title Type and Number: Exploration Licence 29853
 Area Ceased on: 15 August 2017
 Area: 65 Blocks, 204.92 sq kms
 Locality: BURT
 Name of Applicant(s)/Holder(s): 100% **CROSSLAND NICKEL PTY LTD*** [ACN. 099 477 915]

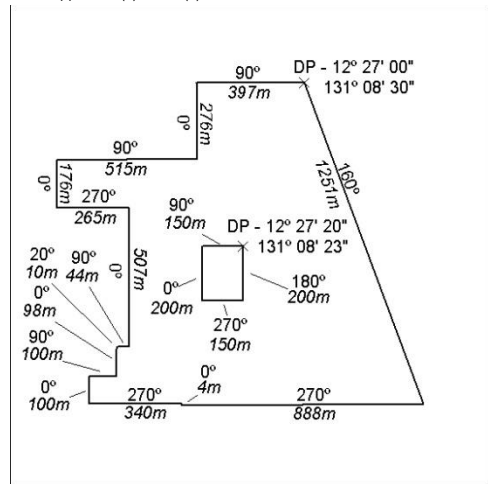


451/17

Mineral Titles Act

NOTICE OF LAND CEASING TO BE A MINERAL TITLE

Title Type and Number: Extractive Mineral Permit 30851
 Area ceased on: 13 September 2017
 Area: 99.00 Hectare
 Locality: KOOLPINYAH
 Name of Applicants(s)/Holder(s): 100% **CECCON Suzanne Yoko**

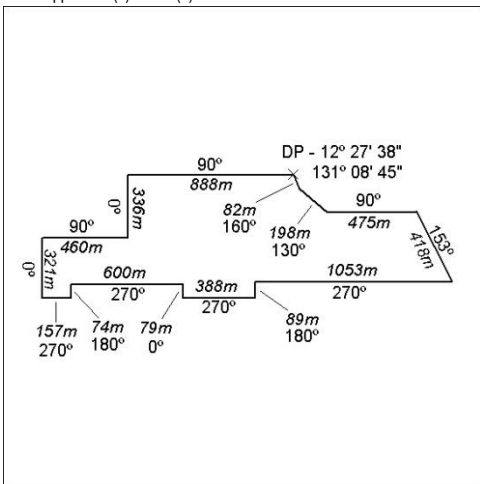


453/17

Mineral Titles Act

NOTICE OF LAND CEASING TO BE A MINERAL TITLE

Title Type and Number: Extractive Mineral Permit 30850
 Area ceased on: 13 September 2017
 Area: 97.00 Hectare
 Locality: KOOLPINYAH
 Name of Applicants(s)/Holder(s): 100% **CECCON Suzanne Yoko**

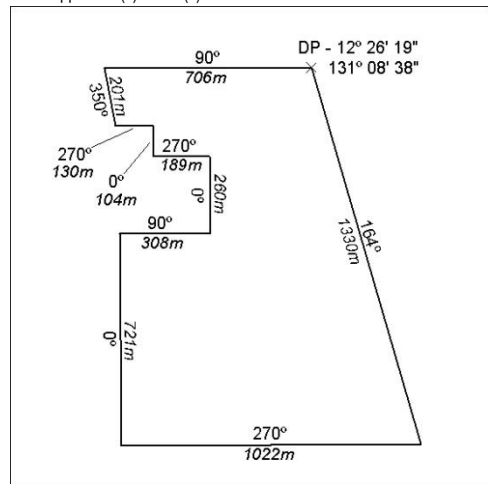


452/17

Mineral Titles Act

NOTICE OF LAND CEASING TO BE A MINERAL TITLE

Title Type and Number: Extractive Mineral Permit 30852
 Area ceased on: 13 September 2017
 Area: 99.00 Hectare
 Locality: KOOLPINYAH
 Name of Applicants(s)/Holder(s): 100% **CECCON Suzanne Yoko**



454/17