

MN137/17

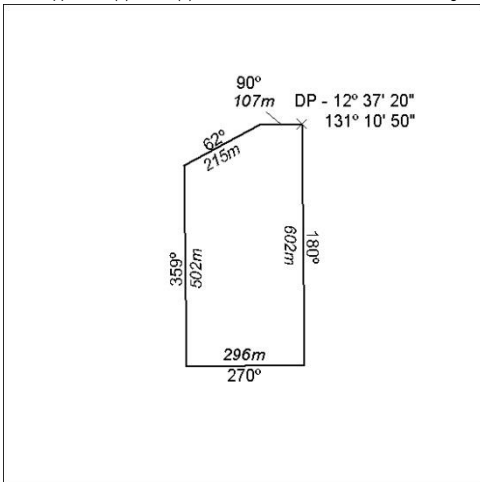
DARWIN

18 October 2017

Mineral Titles Act

NOTICE OF LAND CEASING TO BE A MINERAL TITLE

Title Type and Number: Extractive Mineral Permit (Northern) 1331
 Area ceased on: 14 October 2017
 Area: 17.00 Hectare
 Locality: NOONAMAH
 Name of Applicant(s)/Holder(s): 100% MARTIN Kenneth Morgan

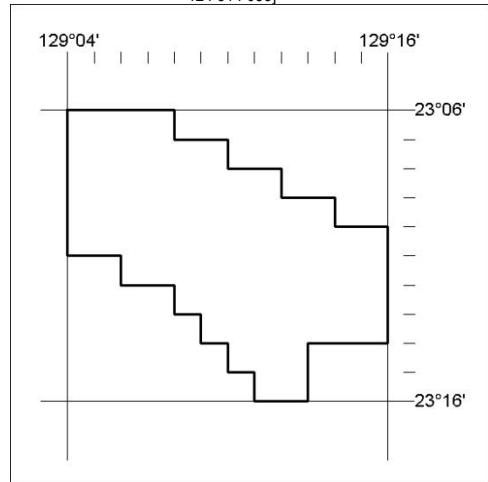


485/17

Mineral Titles Act

NOTICE OF GRANT OF A MINERAL TITLE

Title Type and Number: Exploration Licence 29747
 Granted: 13 October 2017, for a period of 6 Years
 Area: 70 Blocks, 221.01 sq kms
 Locality: LEISLER
 Name of Holder/s: 100% CASTILE RESOURCES PTY LTD [ACN. 124 314 085]



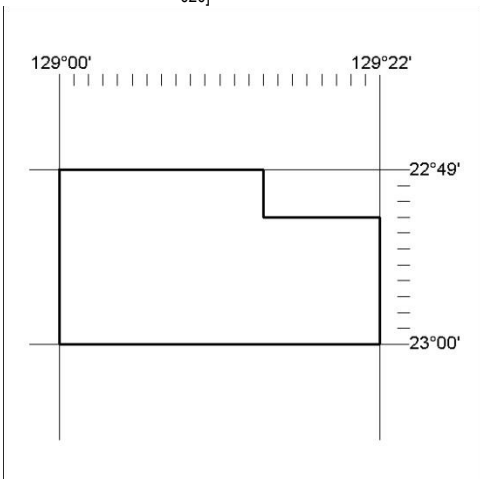
Area granted is indicated above. The titleholder is not permitted to exercise occupational rights on any land that is subject to a development title, or an application for a development title. Any land the subject of a Reserved Land gazettal under the *Mineral Titles Act* and all land vested in the Commonwealth of Australia is also excluded by description but not excised from the grant area.

487/17

Mineral Titles Act

NOTICE OF GRANT OF A MINERAL TITLE

Title Type and Number: Exploration Licence 25146
 Granted: 13 October 2017, for a period of 6 Years
 Area: 218 Blocks, 689.80 sq kms
 Locality: EGERTON
 Name of Holder/s: 100% ABM RESOURCES NL [ACN. 009 127 020]



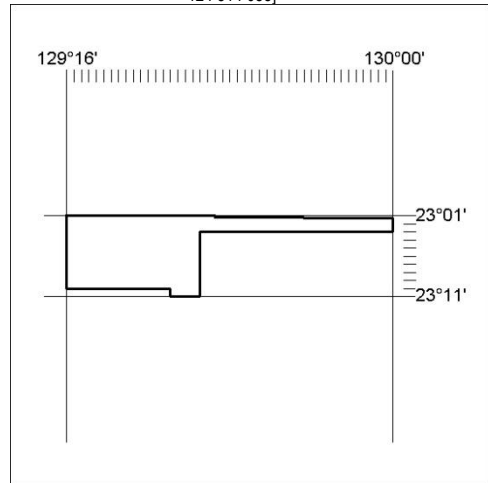
Area granted is indicated above. The titleholder is not permitted to exercise occupational rights on any land that is subject to a development title, or an application for a development title. Any land the subject of a Reserved Land gazettal under the *Mineral Titles Act* and all land vested in the Commonwealth of Australia is also excluded by description but not excised from the grant area.

486/17

Mineral Titles Act

NOTICE OF GRANT OF A MINERAL TITLE

Title Type and Number: Exploration Licence 29748
 Granted: 13 October 2017, for a period of 6 Years
 Area: 218 Blocks, 671.24 sq kms
 Locality: LEISLER
 Name of Holder/s: 100% CASTILE RESOURCES PTY LTD [ACN. 124 314 085]



Area granted is indicated above. The titleholder is not permitted to exercise occupational rights on any land that is subject to a development title, or an application for a development title. Any land the subject of a Reserved Land gazettal under the *Mineral Titles Act* and all land vested in the Commonwealth of Australia is also excluded by description but not excised from the grant area.

488/17

MN137/17

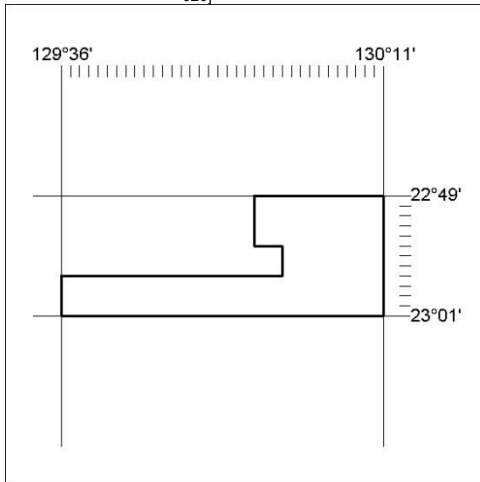
DARWIN

18 October 2017

Mineral Titles Act

NOTICE OF GRANT OF A MINERAL TITLE

Title Type and Number: Exploration Licence 30729
 Granted: 13 October 2017, for a period of 6 Years
 Area: 243 Blocks, 769.14 sq kms
 Locality: CAREY
 Name of Holder/s: 100% ABM RESOURCES NL [ACN. 009 127 020]

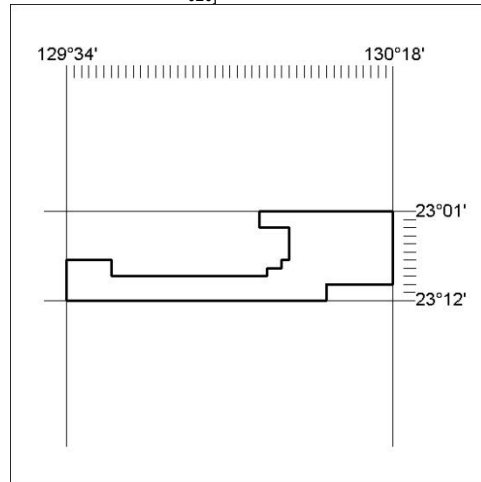


Area granted is indicated above. The titleholder is not permitted to exercise occupational rights on any land that is subject to a development title, or an application for a development title. Any land the subject of a Reserved Land gazettal under the *Mineral Titles Act* and all land vested in the Commonwealth of Australia is also excluded by description but not excised from the grant area.

Mineral Titles Act

NOTICE OF GRANT OF A MINERAL TITLE

Title Type and Number: Exploration Licence 30731
 Granted: 13 October 2017, for a period of 6 Years
 Area: 250 Blocks, 790.42 sq kms
 Locality: EHRENBURG
 Name of Holder/s: 100% ABM RESOURCES NL [ACN. 009 127 020]



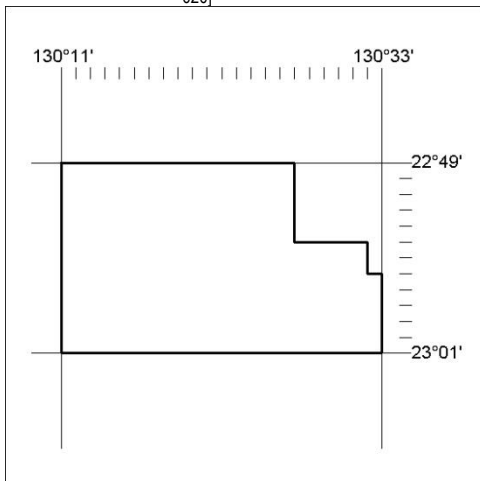
Area granted is indicated above. The titleholder is not permitted to exercise occupational rights on any land that is subject to a development title, or an application for a development title. Any land the subject of a Reserved Land gazettal under the *Mineral Titles Act* and all land vested in the Commonwealth of Australia is also excluded by description but not excised from the grant area.

489/17

Mineral Titles Act

NOTICE OF GRANT OF A MINERAL TITLE

Title Type and Number: Exploration Licence 30730
 Granted: 13 October 2017, for a period of 6 Years
 Area: 232 Blocks, 734.06 sq kms
 Locality: CAREY
 Name of Holder/s: 100% ABM RESOURCES NL [ACN. 009 127 020]



Area granted is indicated above. The titleholder is not permitted to exercise occupational rights on any land that is subject to a development title, or an application for a development title. Any land the subject of a Reserved Land gazettal under the *Mineral Titles Act* and all land vested in the Commonwealth of Australia is also excluded by description but not excised from the grant area.

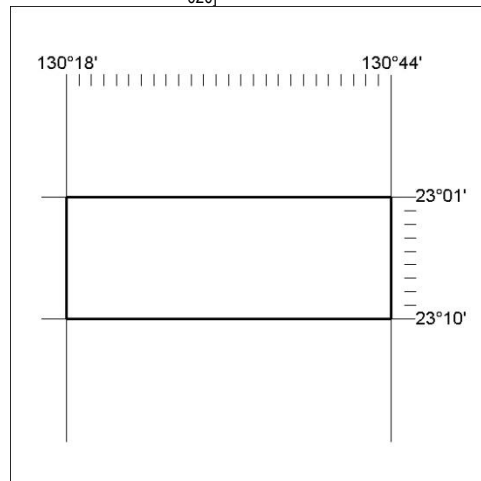
490/17

491/17

Mineral Titles Act

NOTICE OF GRANT OF A MINERAL TITLE

Title Type and Number: Exploration Licence 30732
 Granted: 13 October 2017, for a period of 6 Years
 Area: 234 Blocks, 739.29 sq kms
 Locality: KUTA KUTA
 Name of Holder/s: 100% ABM RESOURCES NL [ACN. 009 127 020]



Area granted is indicated above. The titleholder is not permitted to exercise occupational rights on any land that is subject to a development title, or an application for a development title. Any land the subject of a Reserved Land gazettal under the *Mineral Titles Act* and all land vested in the Commonwealth of Australia is also excluded by description but not excised from the grant area.

492/17

MN137/17

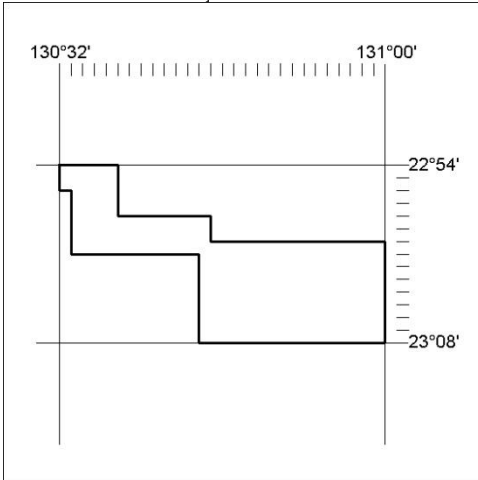
DARWIN

18 October 2017

Mineral Titles Act

NOTICE OF GRANT OF A MINERAL TITLE

Title Type and Number: Exploration Licence 30733
 Granted: 13 October 2017, for a period of 6 Years
 Area: 181 Blocks, 572.15 sq kms
 Locality: KUTA KUTA
 Name of Holder/s: 100% ABM RESOURCES NL [ACN. 009 127 020]



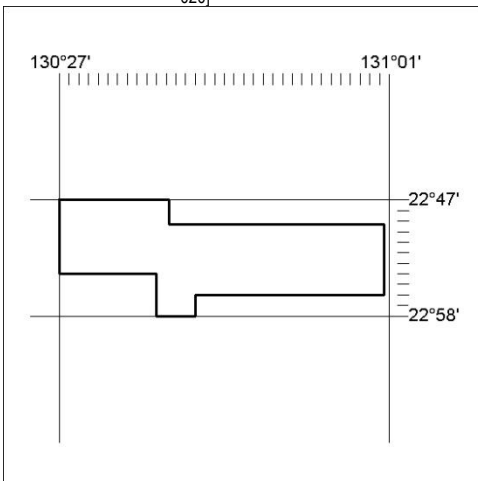
Area granted is indicated above. The titleholder is not permitted to exercise occupational rights on any land that is subject to a development title, or an application for a development title. Any land the subject of a Reserved Land gazettal under the *Mineral Titles Act* and all land vested in the Commonwealth of Australia is also excluded by description but not excised from the grant area.

493/17

Mineral Titles Act

NOTICE OF GRANT OF A MINERAL TITLE

Title Type and Number: Exploration Licence 30739
 Granted: 13 October 2017, for a period of 6 Years
 Area: 250 Blocks, 754.17 sq kms
 Locality: GURNER
 Name of Holder/s: 100% ABM RESOURCES NL [ACN. 009 127 020]



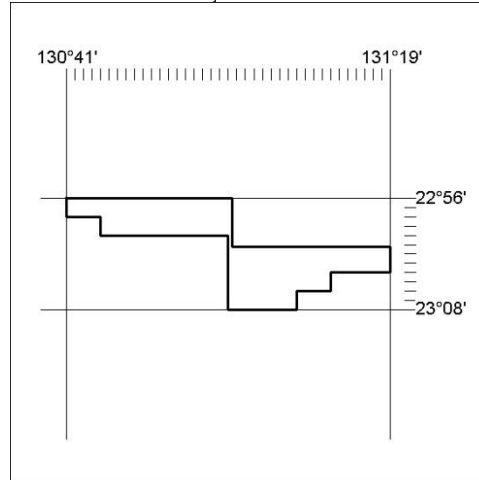
Area granted is indicated above. The titleholder is not permitted to exercise occupational rights on any land that is subject to a development title, or an application for a development title. Any land the subject of a Reserved Land gazettal under the *Mineral Titles Act* and all land vested in the Commonwealth of Australia is also excluded by description but not excised from the grant area.

494/17

Mineral Titles Act

NOTICE OF GRANT OF A MINERAL TITLE

Title Type and Number: Exploration Licence 30740
 Granted: 13 October 2017, for a period of 6 Years
 Area: 170 Blocks, 513.61 sq kms
 Locality: LIEBIG
 Name of Holder/s: 100% ABM RESOURCES NL [ACN. 009 127 020]



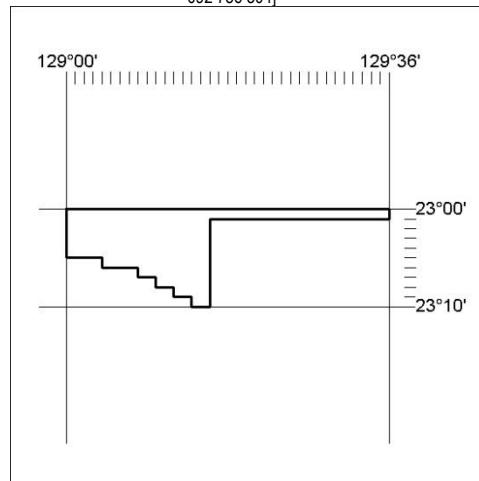
Area granted is indicated above. The titleholder is not permitted to exercise occupational rights on any land that is subject to a development title, or an application for a development title. Any land the subject of a Reserved Land gazettal under the *Mineral Titles Act* and all land vested in the Commonwealth of Australia is also excluded by description but not excised from the grant area.

495/17

Mineral Titles Act

NOTICE OF GRANT OF A MINERAL TITLE

Title Type and Number: Exploration Licence 31234
 Granted: 13 October 2017, for a period of 6 Years
 Area: 132 Blocks, 416.59 sq kms
 Locality: LEISLER
 Name of Holder/s: 100% INDEPENDENCE GROUP NL* [ACN. 092 786 304]



Area granted is indicated above. The titleholder is not permitted to exercise occupational rights on any land that is subject to a development title, or an application for a development title. Any land the subject of a Reserved Land gazettal under the *Mineral Titles Act* and all land vested in the Commonwealth of Australia is also excluded by description but not excised from the grant area.

496/17

MN137/17

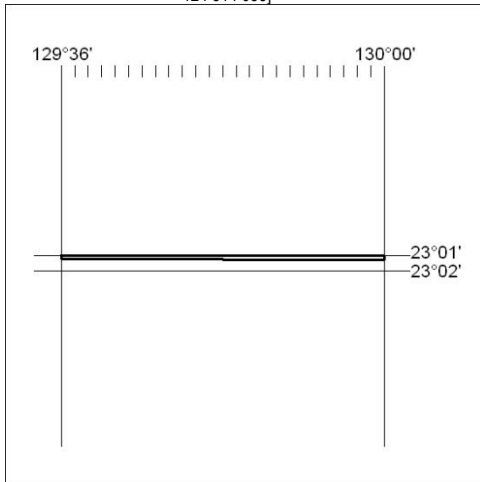
DARWIN

18 October 2017

Mineral Titles Act

NOTICE OF GRANT OF A MINERAL TITLE

Title Type and Number: Exploration Licence 31606
 Granted: 13 October 2017, for a period of 6 Years
 Area: 24 Blocks, 17.52 sq kms
 Locality: WILLIE
 Name of Holder/s: 100% CASTILE RESOURCES PTY LTD [ACN.
 124 314 085]



Area granted is indicated above. The titleholder is not permitted to exercise occupational rights on any land that is subject to a development title, or an application for a development title. Any land the subject of a Reserved Land gazettal under the *Mineral Titles Act* and all land vested in the Commonwealth of Australia is also excluded by description but not excised from the grant area.

497/17