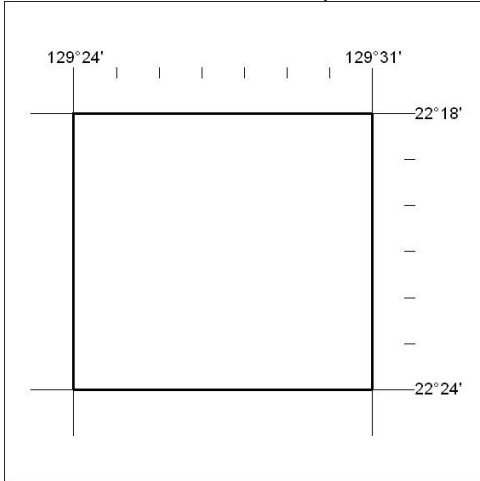


Mineral Titles Act

NOTICE OF LAND CEASING TO BE A MINERAL TITLE AREA

Title Type and Number: Exploration Licence 9343
 Area Ceased on: 11 February 2016
 Area: 42 Blocks, 133.41 sq kms
 Locality: WARBURTON
 Name of Applicant(s)/Holder(s): 100% ABM RESOURCES NL [ACN. 009 127 020]

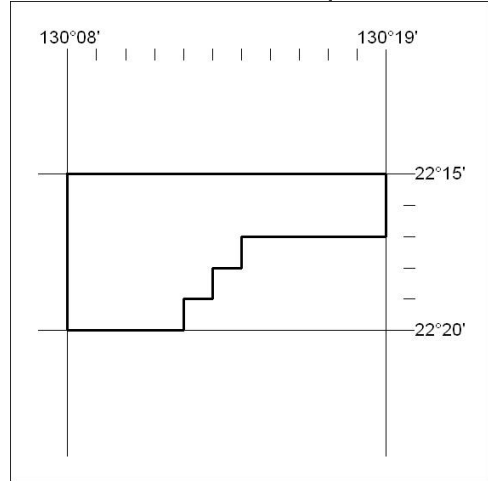


109/16

Mineral Titles Act

NOTICE OF LAND CEASING TO BE A MINERAL TITLE AREA

Title Type and Number: Exploration Licence 9449
 Area Ceased on: 11 February 2016
 Area: 37 Blocks, 117.56 sq kms
 Locality: NICKER
 Name of Applicant(s)/Holder(s): 100% ABM RESOURCES NL [ACN. 009 127 020]

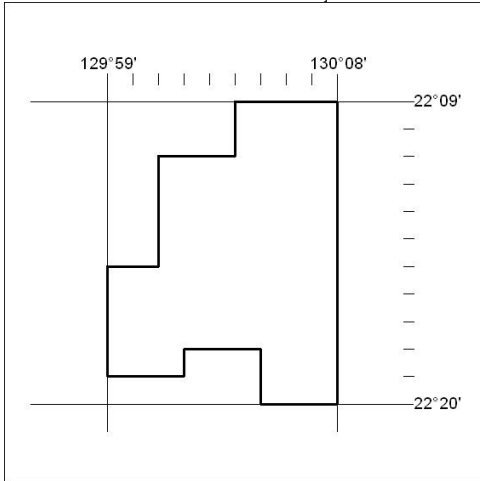


111/16

Mineral Titles Act

NOTICE OF LAND CEASING TO BE A MINERAL TITLE AREA

Title Type and Number: Exploration Licence 9442
 Area Ceased on: 11 February 2016
 Area: 72 Blocks, 228.88 sq kms
 Locality: WARBURTON
 Name of Applicant(s)/Holder(s): 100% ABM RESOURCES NL [ACN. 009 127 020]

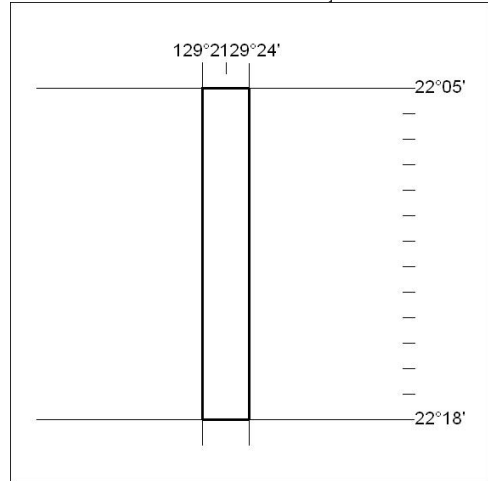


110/16

Mineral Titles Act

NOTICE OF LAND CEASING TO BE A MINERAL TITLE AREA

Title Type and Number: Exploration Licence 10305
 Area Ceased on: 11 February 2016
 Area: 26 Blocks, 82.68 sq kms
 Locality: SANDFORD CLIFFS
 Name of Applicant(s)/Holder(s): 100% ABM RESOURCES NL [ACN. 009 127 020]

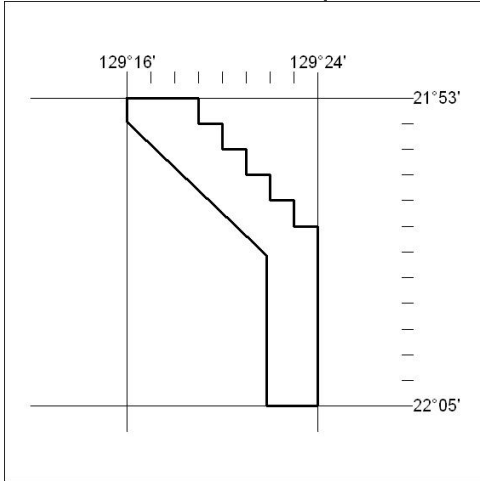


112/16

Mineral Titles Act

NOTICE OF LAND CEASING TO BE A MINERAL TITLE AREA

Title Type and Number: Exploration Licence 10306
 Area Ceased on: 11 February 2016
 Area: 41 Blocks, 100.36 sq kms
 Locality: WICKHAM
 Name of Applicant(s)/Holder(s): 100% ABM RESOURCES NL [ACN. 009 127 020]

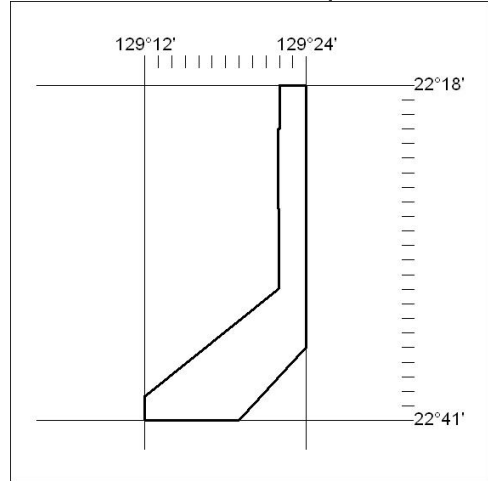


113/16

Mineral Titles Act

NOTICE OF LAND CEASING TO BE A MINERAL TITLE AREA

Title Type and Number: Exploration Licence 24492
 Area Ceased on: 11 February 2016
 Area: 109 Blocks, 279.08 sq kms
 Locality: SANDFORD CLIFFS
 Name of Applicant(s)/Holder(s): 100% ABM RESOURCES NL [ACN. 009 127 020]

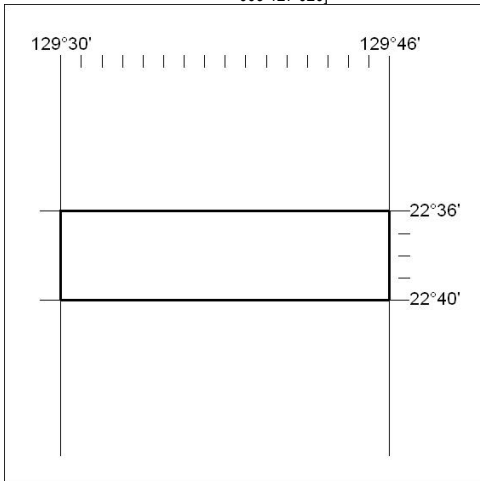


115/16

Mineral Titles Act

NOTICE OF LAND CEASING TO BE A MINERAL TITLE AREA

Title Type and Number: Exploration Licence 24299
 Area Ceased on: 11 February 2016
 Area: 64 Blocks, 202.88 sq kms
 Locality: REDVERS
 Name of Applicant(s)/Holder(s): 100% ABM RESOURCES NL [ACN. 009 127 020]

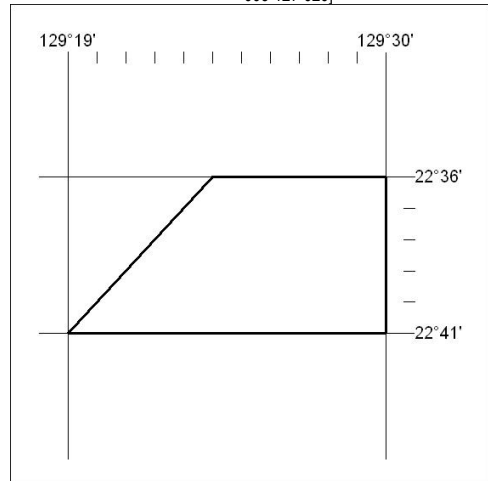


114/16

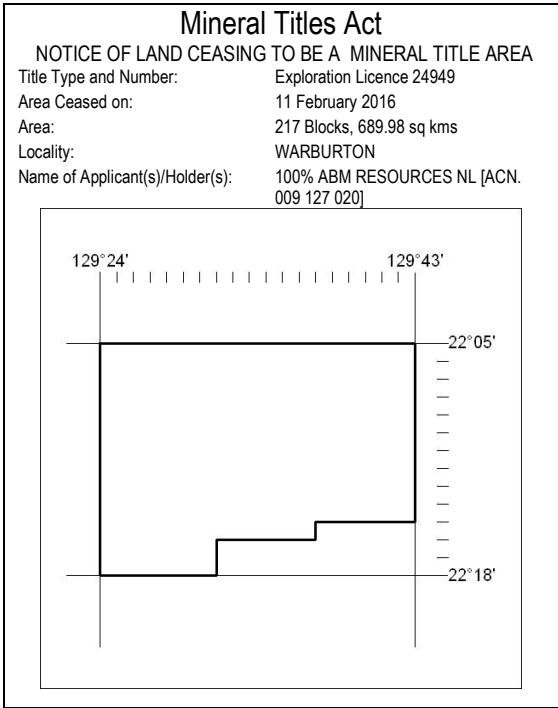
Mineral Titles Act

NOTICE OF LAND CEASING TO BE A MINERAL TITLE AREA

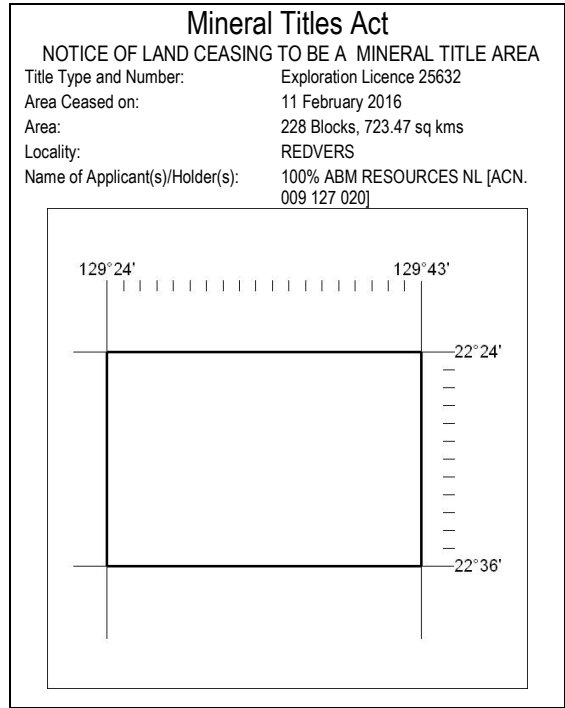
Title Type and Number: Exploration Licence 24567
 Area Ceased on: 11 February 2016
 Area: 45 Blocks, 134.73 sq kms
 Locality: EGERTON
 Name of Applicant(s)/Holder(s): 100% ABM RESOURCES NL [ACN. 009 127 020]



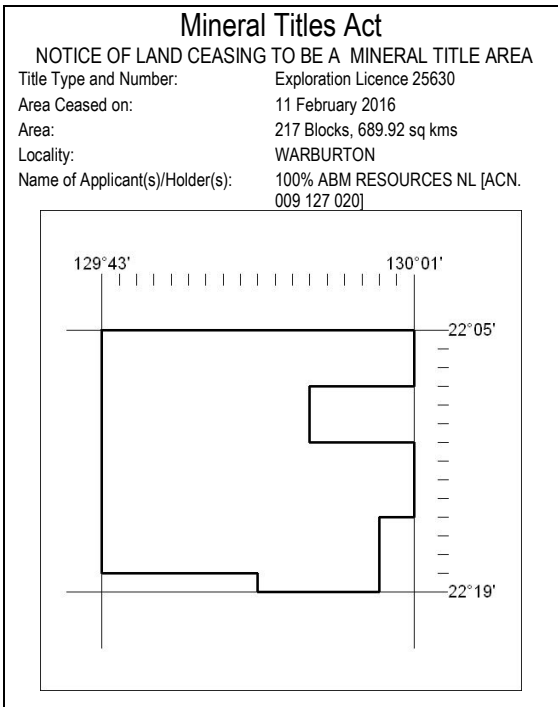
116/16



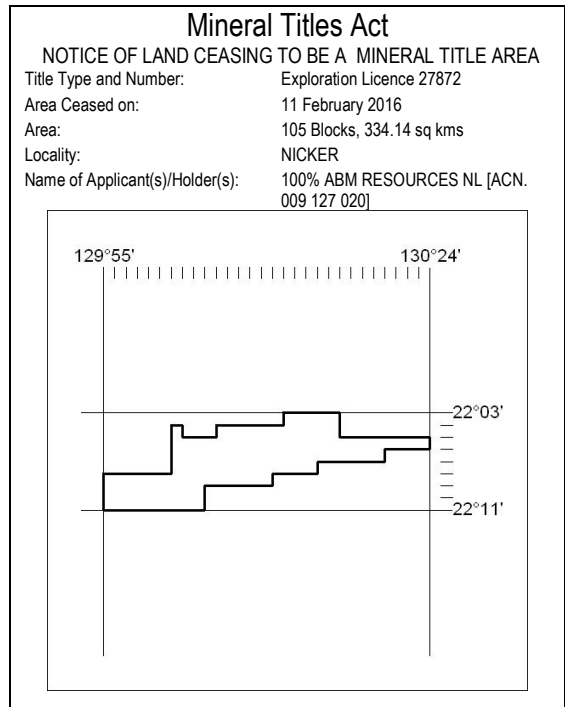
117/16



119/16



118/16

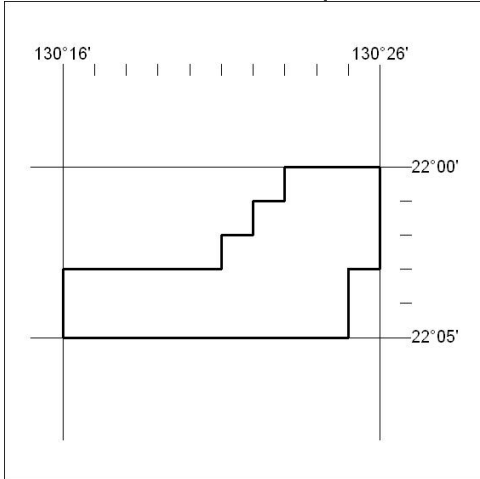


120/16

Mineral Titles Act

NOTICE OF LAND CEASING TO BE A MINERAL TITLE AREA

Title Type and Number: Exploration Licence 28028
 Area Ceased on: 11 February 2016
 Area: 30 Blocks, 95.51 sq kms
 Locality: NICKER
 Name of Applicant(s)/Holder(s): 100% ABM RESOURCES NL [ACN. 009 127 020]

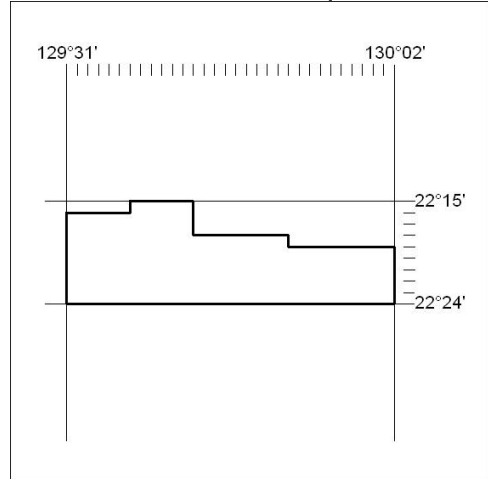


121/16

Mineral Titles Act

NOTICE OF LAND CEASING TO BE A MINERAL TITLE AREA

Title Type and Number: Exploration Licence 29460
 Area Ceased on: 11 February 2016
 Area: 206 Blocks, 655.15 sq kms
 Locality: WARBURTON
 Name of Applicant(s)/Holder(s): 100% ABM RESOURCES NL [ACN. 009 127 020]

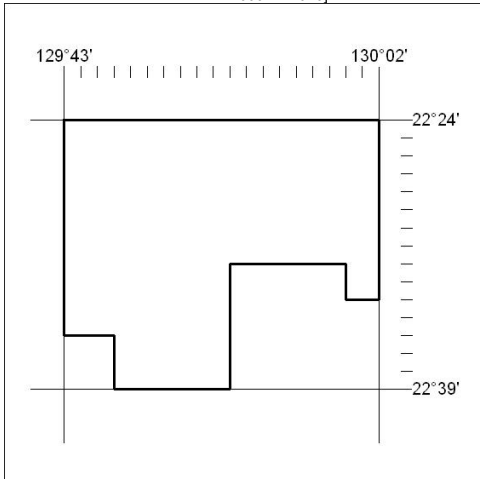


123/16

Mineral Titles Act

NOTICE OF LAND CEASING TO BE A MINERAL TITLE AREA

Title Type and Number: Exploration Licence 29459
 Area Ceased on: 11 February 2016
 Area: 217 Blocks, 688.38 sq kms
 Locality: REDVERS
 Name of Applicant(s)/Holder(s): 100% ABM RESOURCES NL [ACN. 009 127 020]

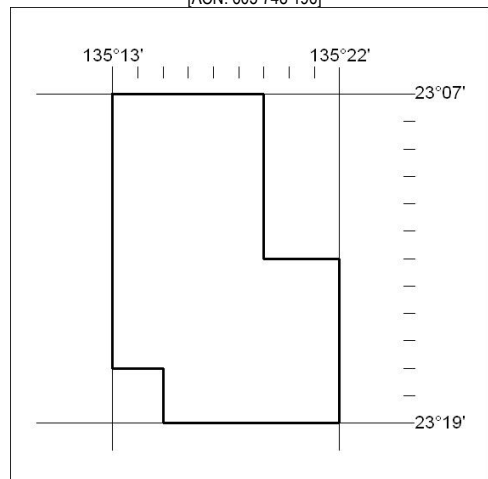


122/16

Mineral Titles Act

NOTICE OF GRANT OF A MINERAL TITLE

Title Type and Number: Exploration Licence 30837
 Granted: 11 February 2016, for a period of 6 Years
 Area: 86 Blocks, 271.44 sq kms
 Locality: QUARTZ
 Name of Holder/s: 100% PINNACLE EXPLORATION PTY LTD [ACN. 605 748 196]



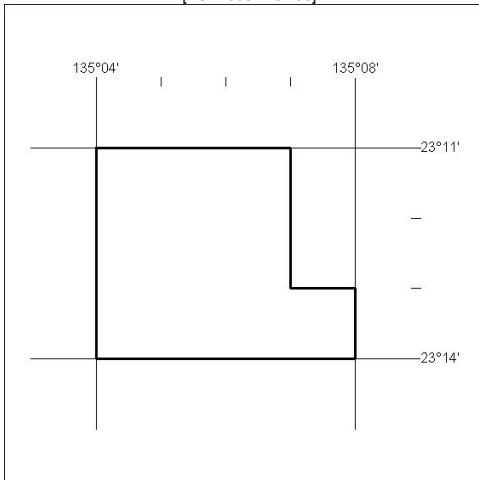
Area granted is indicated above. The titleholder is not permitted to exercise occupational rights on any land that is subject to a development title, or an application for a development title. Any land the subject of a Reserved Land gazettal under the *Mineral Titles Act* and all land vested in the Commonwealth of Australia is also excluded by description but not excised from the grant area.

124/16

Mineral Titles Act

NOTICE OF GRANT OF A MINERAL TITLE

Title Type and Number: Exploration Licence 30838
Granted: 11 February 2016, for a period of 6 Years
Area: 10 Blocks, 31.57 sq kms
Locality: QUARTZ
Name of Holder/s: 100% PINNACLE EXPLORATION PTY LTD
[ACN. 605 748 196]



Area granted is indicated above. The titleholder is not permitted to exercise occupational rights on any land that is subject to a development title, or an application for a development title. Any land the subject of a Reserved Land gazettal under the *Mineral Titles Act* and all land vested in the Commonwealth of Australia is also excluded by description but not excised from the grant area.