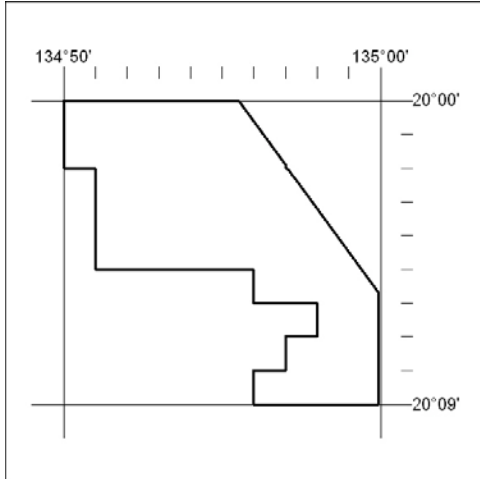


**Mineral Titles Act**

**NOTICE OF LAND CEASING TO BE A MINERAL TITLE AREA**

Title Type and Number: Exploration Licence 24145  
 Area Ceased on: 12 November 2015  
 Area: 51 Blocks, 151.01 sq kms  
 Locality: OORADIGEE  
 Name of Applicant(s)/Holder(s): 100% RED METAL LIMITED [ACN. 103 367 684]

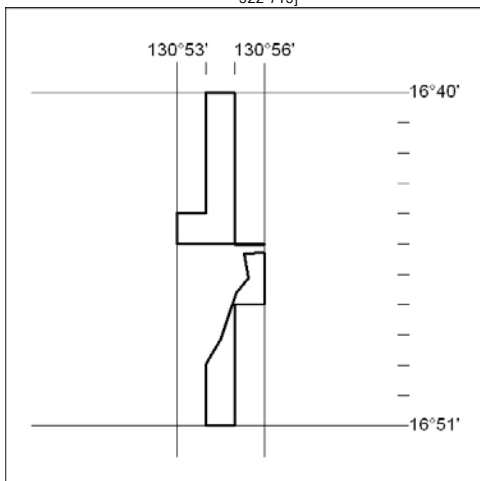


**582/15**

**Mineral Titles Act**

**NOTICE OF LAND CEASING TO BE A MINERAL TITLE AREA**

Title Type and Number: Exploration Licence 29453  
 Area Ceased on: 12 November 2015  
 Area: 13 Blocks, 33.96 sq kms  
 Locality: MT SANFORD  
 Name of Applicant(s)/Holder(s): 100% UNIVERSAL SPLENDOUR INVESTMENTS PTY LTD\* [ACN. 132 522 715]



**583/15**

**Corrigendum**

Notice number 568/15 appearing in MN143/15 on 10 November 2015 is hereby cancelled.

584/15