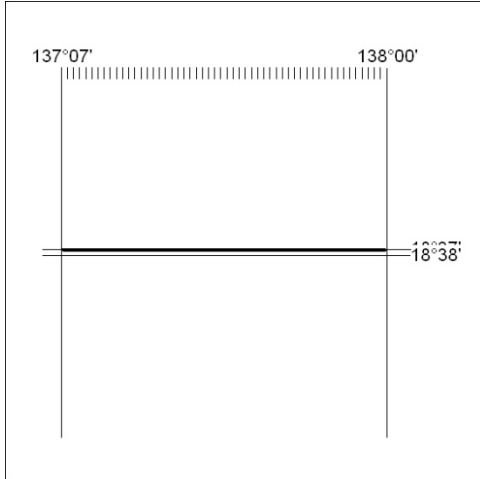


Mineral Titles Act

NOTICE OF LAND CEASING TO BE A MINERAL TITLE AREA

Title Type and Number: Exploration Licence 26604
 Area Ceased on: 16 February 2016
 Area: 53 Blocks, 40.59 sq kms
 Locality: CARRARA
 Name of Applicant(s)/Holder(s): 100% PHOSPHATE AUSTRALIA LIMITED* [ACN. 129 158 550]

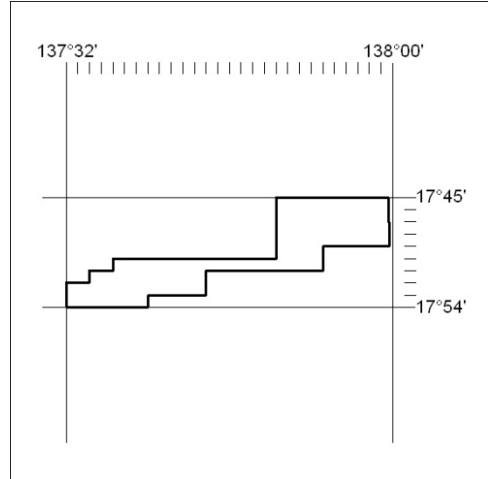


134/16

Mineral Titles Act

NOTICE OF LAND CEASING TO BE A MINERAL TITLE AREA

Title Type and Number: Exploration Licence 26646
 Area Ceased on: 16 February 2016
 Area: 91 Blocks, 293.39 sq kms
 Locality: SEIGAL
 Name of Applicant(s)/Holder(s): 100% PHOSPHATE AUSTRALIA LIMITED* [ACN. 129 158 550]

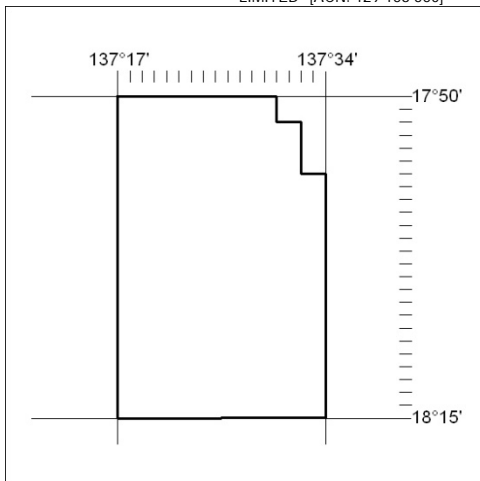


136/16

Mineral Titles Act

NOTICE OF LAND CEASING TO BE A MINERAL TITLE AREA

Title Type and Number: Exploration Licence 26645
 Area Ceased on: 16 February 2016
 Area: 409 Blocks, 1334.97 sq kms
 Locality: BENMARA
 Name of Applicant(s)/Holder(s): 100% PHOSPHATE AUSTRALIA LIMITED* [ACN. 129 158 550]

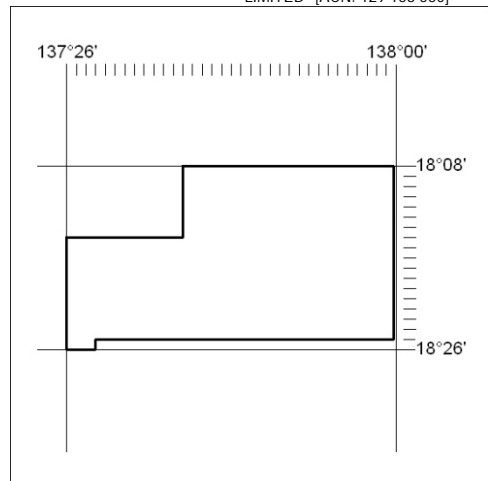


135/16

Mineral Titles Act

NOTICE OF LAND CEASING TO BE A MINERAL TITLE AREA

Title Type and Number: Exploration Licence 26648
 Area Ceased on: 16 February 2016
 Area: 497 Blocks, 1606.40 sq kms
 Locality: CLEANSKIN
 Name of Applicant(s)/Holder(s): 100% PHOSPHATE AUSTRALIA LIMITED* [ACN. 129 158 550]

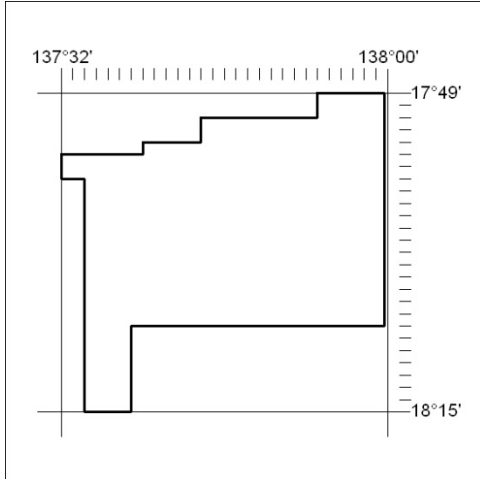


137/16

Mineral Titles Act

NOTICE OF LAND CEASING TO BE A MINERAL TITLE AREA

Title Type and Number: Exploration Licence 26649
 Area Ceased on: 16 February 2016
 Area: 461 Blocks, 1488.89 sq kms
 Locality: CLEANSKIN
 Name of Applicant(s)/Holder(s): 100% PHOSPHATE AUSTRALIA LIMITED* [ACN. 129 158 550]

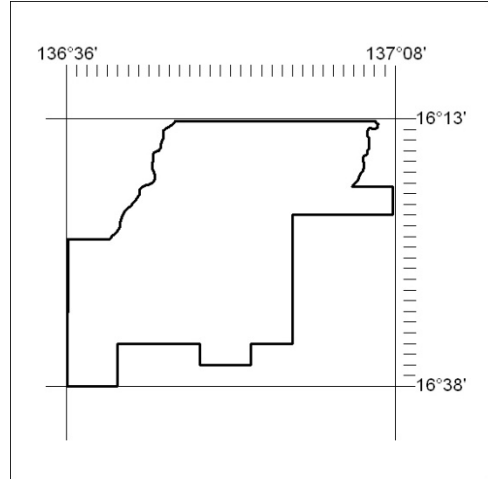


138/16

Mineral Titles Act

NOTICE OF LAND CEASING TO BE A MINERAL TITLE AREA

Title Type and Number: Exploration Licence 27854
 Area Ceased on: 16 February 2016
 Area: 491 Blocks, 1550.41 sq kms
 Locality: WEARYAN
 Name of Applicant(s)/Holder(s): 100% PHOSPHATE AUSTRALIA LIMITED* [ACN. 129 158 550]

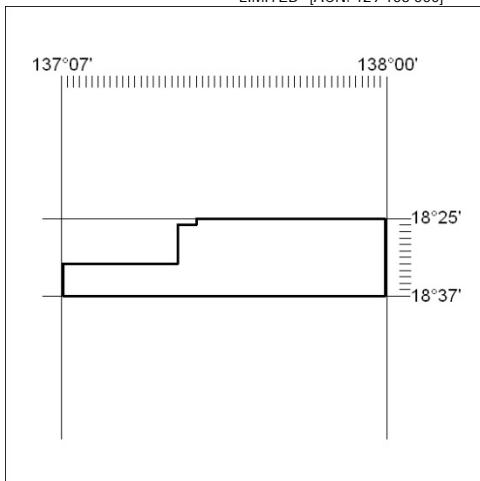


140/16

Mineral Titles Act

NOTICE OF LAND CEASING TO BE A MINERAL TITLE AREA

Title Type and Number: Exploration Licence 26650
 Area Ceased on: 16 February 2016
 Area: 500 Blocks, 1615.51 sq kms
 Locality: CARRARA
 Name of Applicant(s)/Holder(s): 100% PHOSPHATE AUSTRALIA LIMITED* [ACN. 129 158 550]

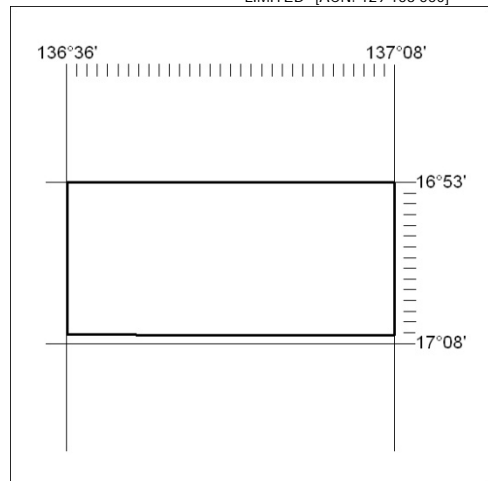


139/16

Mineral Titles Act

NOTICE OF LAND CEASING TO BE A MINERAL TITLE AREA

Title Type and Number: Exploration Licence 27855
 Area Ceased on: 16 February 2016
 Area: 480 Blocks, 1485.37 sq kms
 Locality: SURPRISE CREEK
 Name of Applicant(s)/Holder(s): 100% PHOSPHATE AUSTRALIA LIMITED* [ACN. 129 158 550]

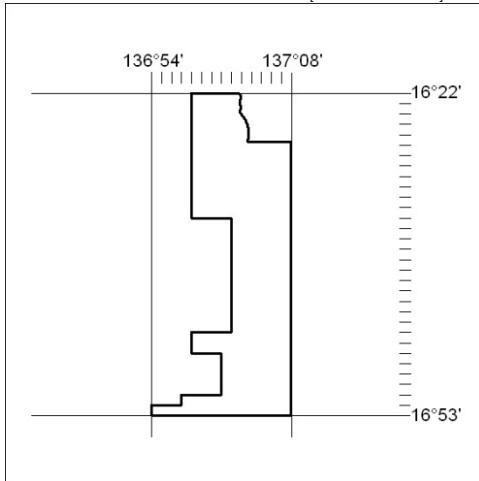


141/16

Mineral Titles Act

NOTICE OF LAND CEASING TO BE A MINERAL TITLE AREA

Title Type and Number: Exploration Licence 27856
 Area Ceased on: 16 February 2016
 Area: 241 Blocks, 774.66 sq kms
 Locality: PUNGALINA
 Name of Applicant(s)/Holder(s): 100% PHOSPHATE AUSTRALIA LIMITED* [ACN. 129 158 550]

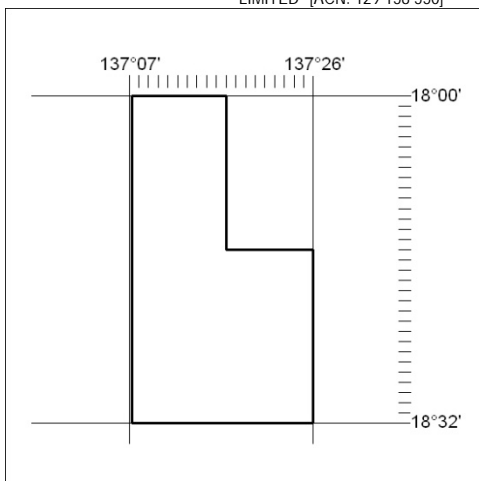


142/16

Mineral Titles Act

NOTICE OF LAND CEASING TO BE A MINERAL TITLE AREA

Title Type and Number: Exploration Licence 28220
 Area Ceased on: 16 February 2016
 Area: 473 Blocks, 1509.43 sq kms
 Locality: BENMARA
 Name of Applicant(s)/Holder(s): 100% PHOSPHATE AUSTRALIA LIMITED* [ACN. 129 158 550]



143/16