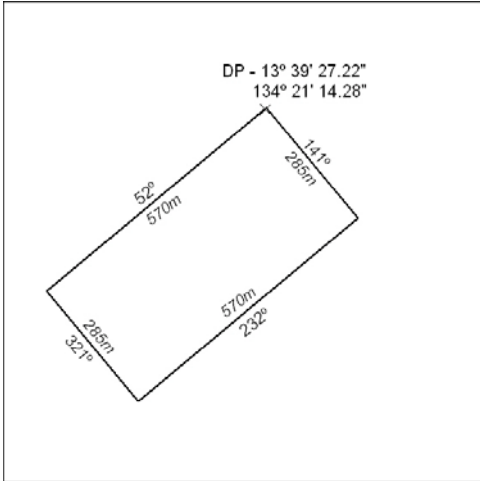


Mineral Titles Act

NOTICE OF LAND CEASING TO BE A MINERAL TITLE

Title Type and Number: Mineral Lease (Northern) 726
 Area ceased on: 08 April 2016
 Area: 16.00 Hectare
 Locality: MARUMBA
 Name of Applicant(s)/Holder(s): 100% BULMAN RESOURCES PTY LTD [ACN. 075 662 654]

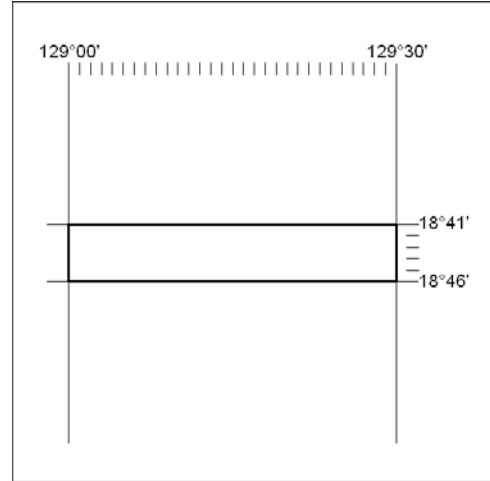


279/16

Mineral Titles Act

NOTICE OF LAND CEASING TO BE A MINERAL TITLE AREA

Title Type and Number: Exploration Licence 26271
 Area Ceased on: 08 April 2016
 Area: 150 Blocks, 487.91 sq kms
 Locality: PHIBBS
 Name of Applicant(s)/Holder(s): 100% TORO ENERGY LIMITED [ACN. 117 127 590]

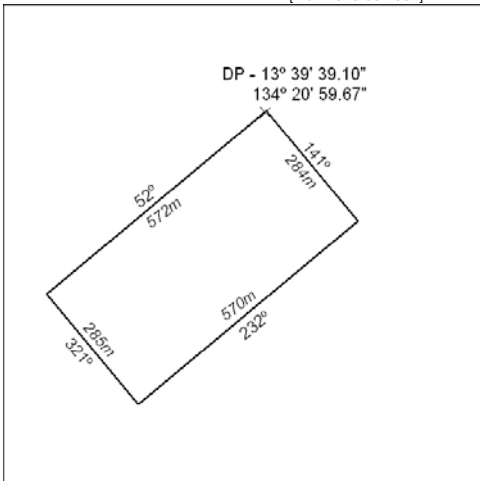


281/16

Mineral Titles Act

NOTICE OF LAND CEASING TO BE A MINERAL TITLE

Title Type and Number: Mineral Lease (Northern) 727
 Area ceased on: 08 April 2016
 Area: 16.00 Hectare
 Locality: MARUMBA
 Name of Applicant(s)/Holder(s): 100% BULMAN RESOURCES PTY LTD [ACN. 075 662 654]

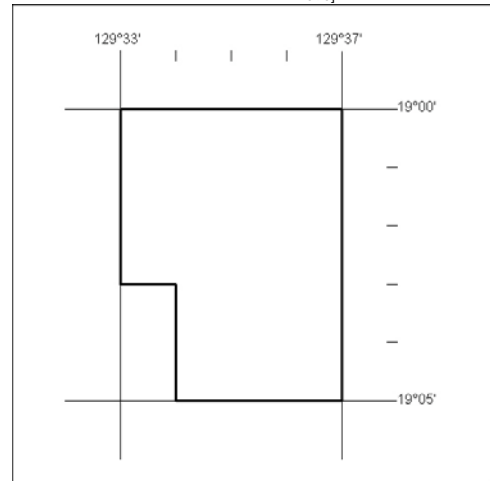


280/16

Mineral Titles Act

NOTICE OF LAND CEASING TO BE A MINERAL TITLE AREA

Title Type and Number: Exploration Licence 27000
 Area Ceased on: 08 April 2016
 Area: 18 Blocks, 58.44 sq kms
 Locality: BREADEN
 Name of Applicant(s)/Holder(s): 100% TORO ENERGY LIMITED [ACN. 117 127 590]

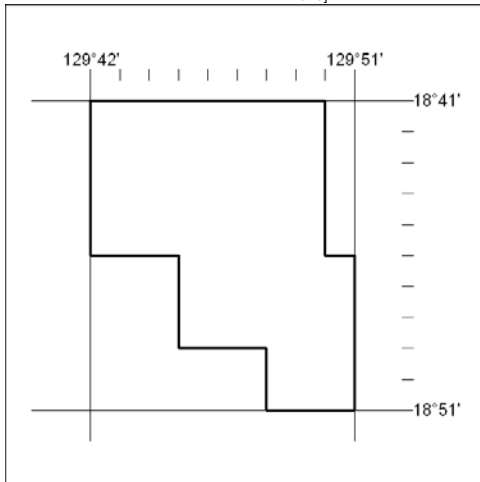


282/16

Mineral Titles Act

NOTICE OF LAND CEASING TO BE A MINERAL TITLE AREA

Title Type and Number: Exploration Licence 27001
 Area Ceased on: 08 April 2016
 Area: 64 Blocks, 208.13 sq kms
 Locality: WARE
 Name of Applicant(s)/Holder(s): 100% TORO ENERGY LIMITED [ACN. 117 127 590]

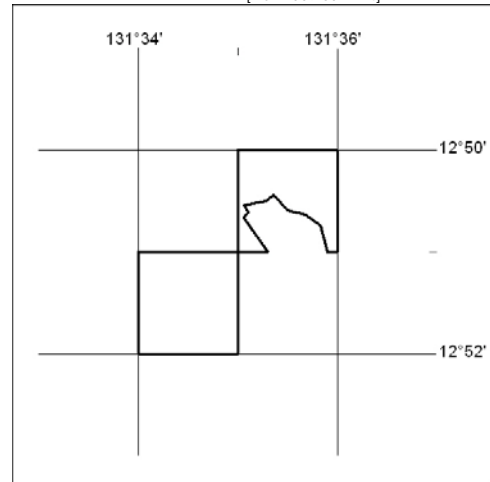


283/16

Mineral Titles Act

NOTICE OF LAND CEASING TO BE A MINERAL TITLE AREA

Title Type and Number: Exploration Licence 30802
 Area Ceased on: 08 April 2016
 Area: 3 Blocks, 5.71 sq kms
 Locality: MARY RIVER
 Name of Applicant(s)/Holder(s): 100% HALKITIS BROS. PTY. LIMITED [ACN. 009 607 774]



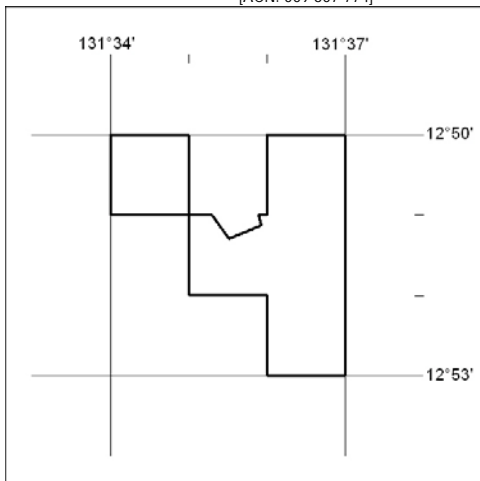
(Area now amalgamated into Exploration Licence 31270 under s102 – EL moratorium period does not apply)

285/16

Mineral Titles Act

NOTICE OF LAND CEASING TO BE A MINERAL TITLE AREA

Title Type and Number: Exploration Licence 29653
 Area Ceased on: 08 April 2016
 Area: 5 Blocks, 16.35 sq kms
 Locality: MARY RIVER
 Name of Applicant(s)/Holder(s): 100% HALKITIS BROS. PTY. LIMITED [ACN. 009 607 774]



(Area now amalgamated into Exploration Licence 31270 under s102 – EL moratorium period does not apply)

284/16