

MN28/17

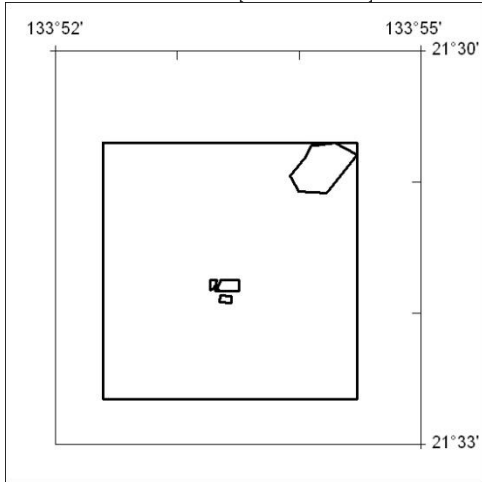
DARWIN

22 February 2017

Mineral Titles Act

NOTICE OF LAND CEASING TO BE A MINERAL TITLE AREA

Title Type and Number: Exploration Licence 31141
Area Ceased on: 21 February 2017
Area: 9 Blocks, 12.49 sq kms
Locality: BARROW
Name of Applicant(s)/Holder(s): 100% SLIPSTREAM WANT PTY LTD
[ACN. 611 515 345]



85/17