

MN66/17

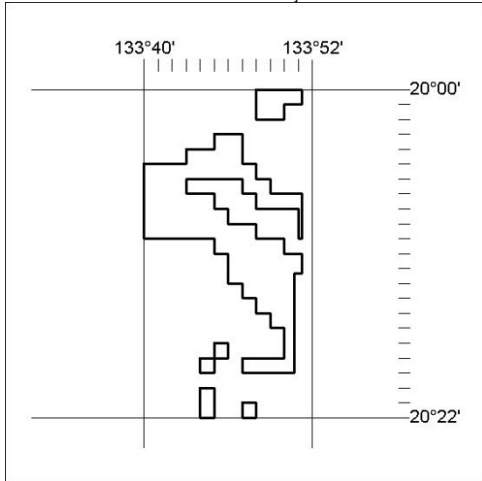
DARWIN

19 May 2017

Mineral Titles Act

NOTICE OF LAND CEASING TO BE A MINERAL TITLE AREA

Title Type and Number: Exploration Licence 25581
 Area Ceased on: 18 May 2017
 Area: 87 Blocks, 260.46 sq kms
 Locality: CHALUBA
 Name of Applicant(s)/Holder(s): 80% WDR BASE METALS PTY LTD [ACN. 125 044 984], 20% TODD RIVER METALS PTY LTD [ACN. 600 314 038]

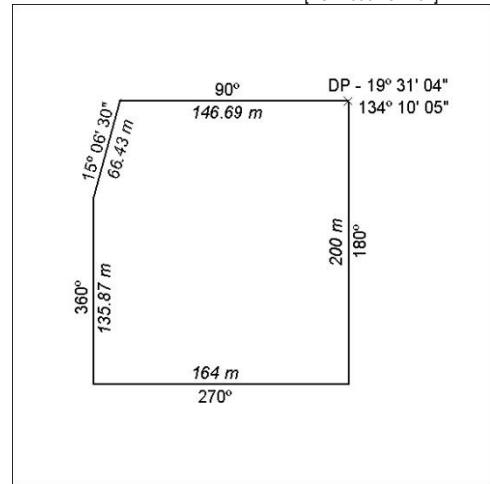


249/17

Mineral Titles Act

NOTICE OF LAND CEASING TO BE A MINERAL TITLE

Title Type and Number: Extractive Mineral Lease (Central) 12
 Area ceased on: 17 May 2017
 Area: 3.00 Hectare
 Locality: TENNANT CREEK
 Name of Applicant(s)/Holder(s): 100% HOLCIM (AUSTRALIA) PTY LTD* [ACN. 099 732 297]

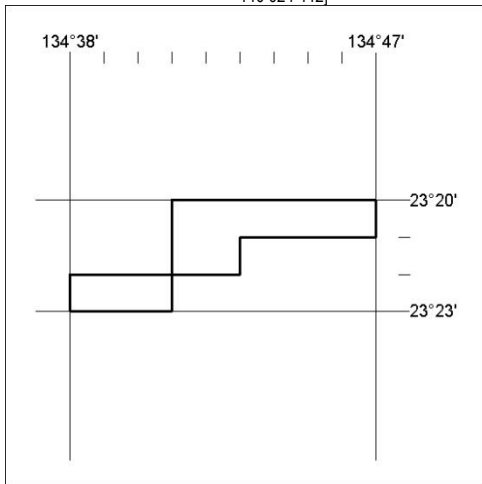


251/17

Mineral Titles Act

NOTICE OF LAND CEASING TO BE A MINERAL TITLE AREA

Title Type and Number: Exploration Licence 27709
 Area Ceased on: 19 May 2017
 Area: 11 Blocks, 34.68 sq kms
 Locality: RIDDOCH
 Name of Applicant(s)/Holder(s): 100% DBL BLUES PTY LTD [ACN. 140 024 442]

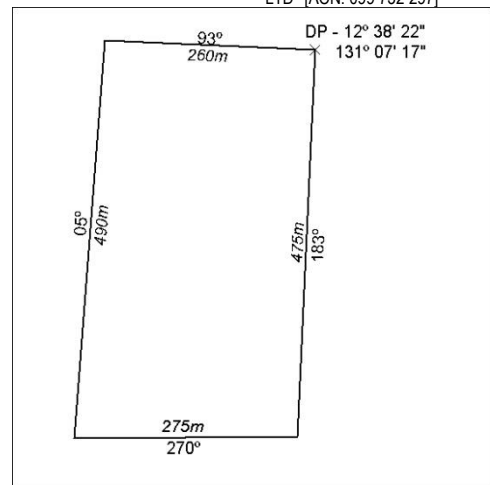


250/17

Mineral Titles Act

NOTICE OF LAND CEASING TO BE A MINERAL TITLE

Title Type and Number: Mineral Lease (Northern) 387
 Area ceased on: 17 May 2017
 Area: 13.00 Hectare
 Locality: NOONAMAH
 Name of Applicant(s)/Holder(s): 100% HOLCIM (AUSTRALIA) PTY LTD* [ACN. 099 732 297]



252/17

MN66/17

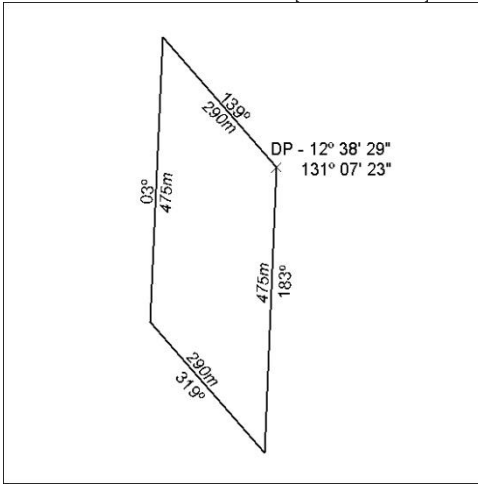
DARWIN

19 May 2017

Mineral Titles Act

NOTICE OF LAND CEASING TO BE A MINERAL TITLE

Title Type and Number: Mineral Lease (Northern) 388
 Area ceased on: 17 May 2017
 Area: 10.00 Hectare
 Locality: NOONAMAH
 Name of Applicant(s)/Holder(s): 100% HOLLICIM (AUSTRALIA) PTY LTD* [ACN. 099 732 297]

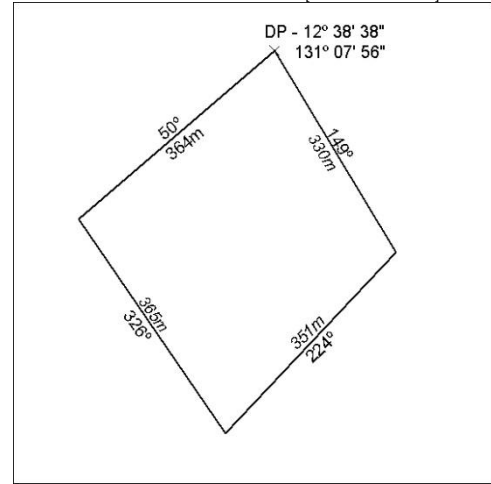


253/17

Mineral Titles Act

NOTICE OF LAND CEASING TO BE A MINERAL TITLE

Title Type and Number: Mineral Lease (Northern) 392
 Area ceased on: 17 May 2017
 Area: 12.00 Hectare
 Locality: NOONAMAH
 Name of Applicant(s)/Holder(s): 100% HOLLICIM (AUSTRALIA) PTY LTD* [ACN. 099 732 297]

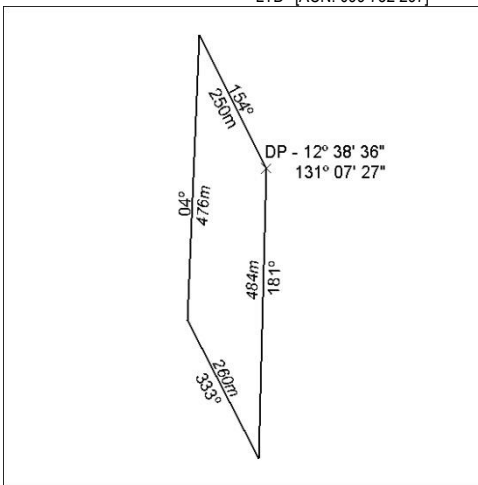


255/17

Mineral Titles Act

NOTICE OF LAND CEASING TO BE A MINERAL TITLE

Title Type and Number: Mineral Lease (Northern) 389
 Area ceased on: 17 May 2017
 Area: 6.00 Hectare
 Locality: NOONAMAH
 Name of Applicant(s)/Holder(s): 100% HOLLICIM (AUSTRALIA) PTY LTD* [ACN. 099 732 297]

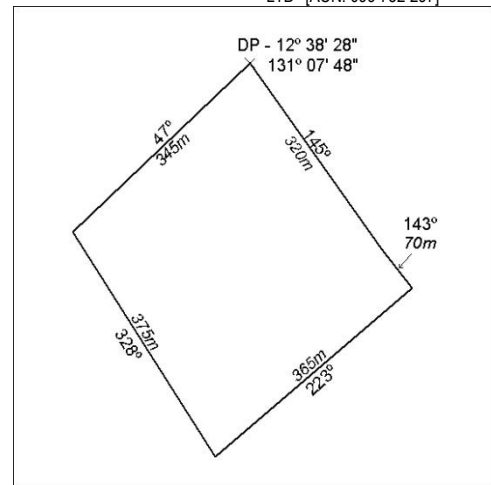


254/17

Mineral Titles Act

NOTICE OF LAND CEASING TO BE A MINERAL TITLE

Title Type and Number: Mineral Lease (Northern) 393
 Area ceased on: 17 May 2017
 Area: 13.00 Hectare
 Locality: NOONAMAH
 Name of Applicant(s)/Holder(s): 100% HOLLICIM (AUSTRALIA) PTY LTD* [ACN. 099 732 297]



256/17

MN66/17

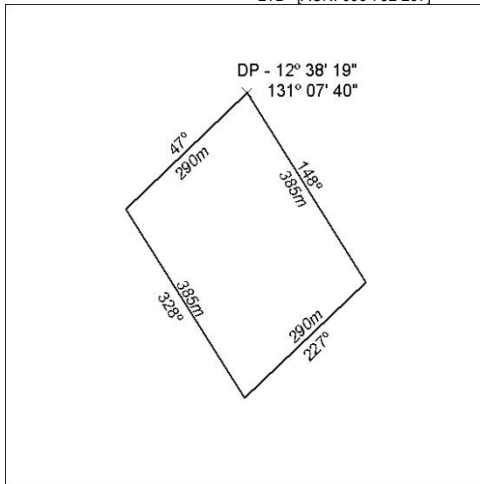
DARWIN

19 May 2017

Mineral Titles Act

NOTICE OF LAND CEASING TO BE A MINERAL TITLE

Title Type and Number: Mineral Lease (Northern) 394
 Area ceased on: 17 May 2017
 Area: 11.00 Hectare
 Locality: NOONAMAH
 Name of Applicants(s)Holder(s): 100% HOLLICIM (AUSTRALIA) PTY LTD* [ACN. 099 732 297]

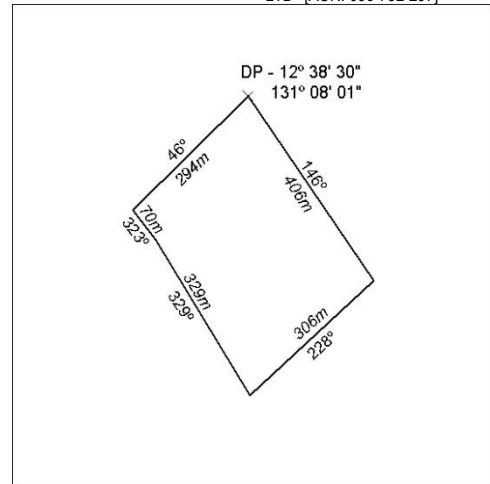


257/17

Mineral Titles Act

NOTICE OF LAND CEASING TO BE A MINERAL TITLE

Title Type and Number: Mineral Lease (Northern) 397
 Area ceased on: 17 May 2017
 Area: 12.00 Hectare
 Locality: NOONAMAH
 Name of Applicants(s)Holder(s): 100% HOLLICIM (AUSTRALIA) PTY LTD* [ACN. 099 732 297]

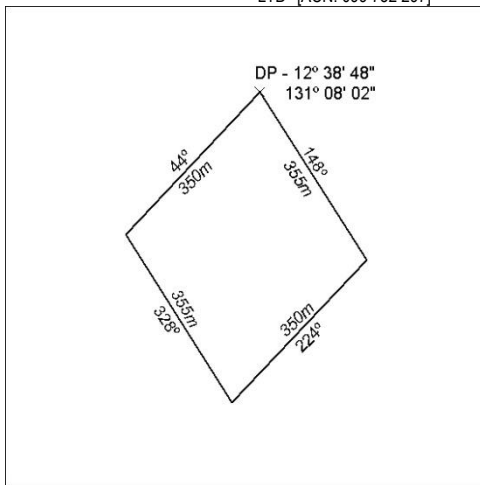


259/17

Mineral Titles Act

NOTICE OF LAND CEASING TO BE A MINERAL TITLE

Title Type and Number: Mineral Lease (Northern) 396
 Area ceased on: 17 May 2017
 Area: 12.00 Hectare
 Locality: NOONAMAH
 Name of Applicants(s)Holder(s): 100% HOLLICIM (AUSTRALIA) PTY LTD* [ACN. 099 732 297]



258/17