

MN123/17

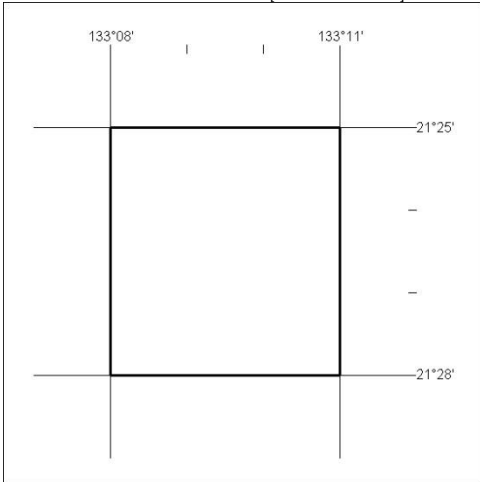
DARWIN

19 September 2017

Mineral Titles Act

NOTICE OF LAND CEASING TO BE A MINERAL TITLE AREA

Title Type and Number: Exploration Licence 27115
 Area Ceased on: 17 September 2017
 Area: 9 Blocks, 28.77 sq kms
 Locality: ANNINGIE
 Name of Applicant(s)/Holder(s): 100% TODD RIVER METALS PTY LTD [ACN. 600 314 038]

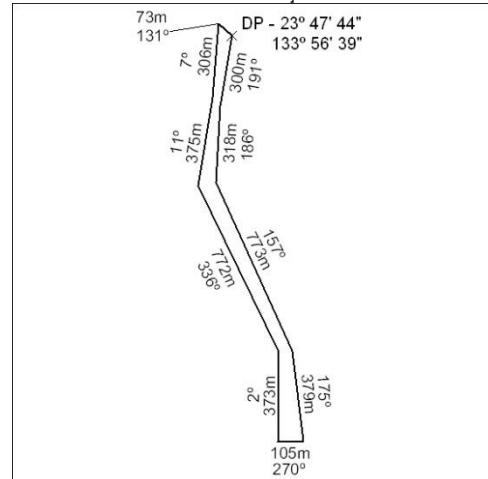


455/17

Mineral Titles Act

NOTICE OF LAND CEASING TO BE A MINERAL TITLE

Title Type and Number: Extractive Mineral Permit 27277
 Area ceased on: 18 September 2017
 Area: 11.00 Hectare
 Locality: ALICE SPRINGS
 Name of Applicant(s)/Holder(s): 100% REMOTE CONTRACTING SERVICES PTY LTD [ACN. 124 154 981]

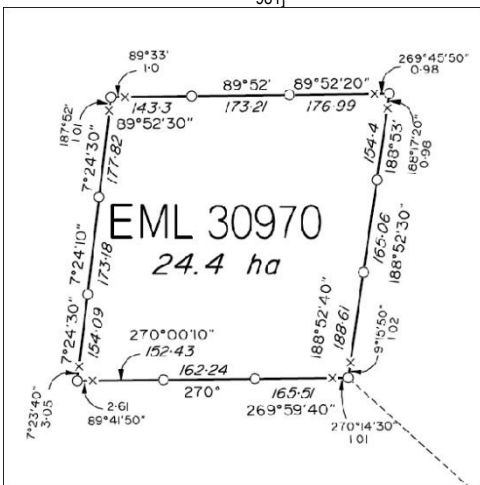


457/17

Mineral Titles Act

NOTICE OF LAND CEASING TO BE A MINERAL TITLE

Title Type and Number: Extractive Mineral Lease 30970
 Area ceased on: 18 September 2017
 Area: 24.00 Hectare
 Locality: KATHERINE
 Name of Applicant(s)/Holder(s): 100% REMOTE CONTRACTING SERVICES PTY LTD [ACN. 124 154 981]

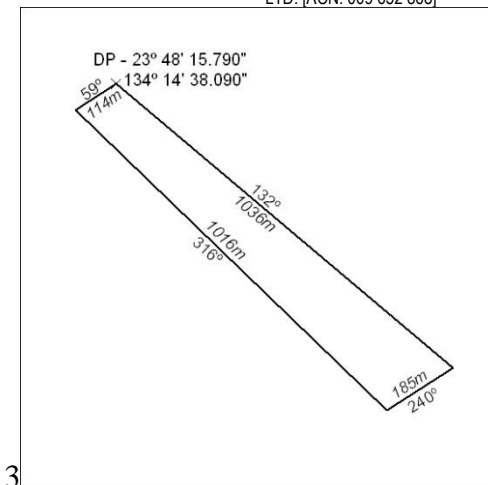


456/17

Mineral Titles Act

NOTICE OF LAND CEASING TO BE A MINERAL TITLE

Title Type and Number: Extractive Mineral Permit 29435
 Area ceased on: 18 September 2017
 Area: 15.00 Hectare
 Locality: UNDOOLYA
 Name of Applicant(s)/Holder(s): 100% P.F. & C.J. BROWN PTY. LTD. [ACN. 009 652 868]



458/17

MN123/17

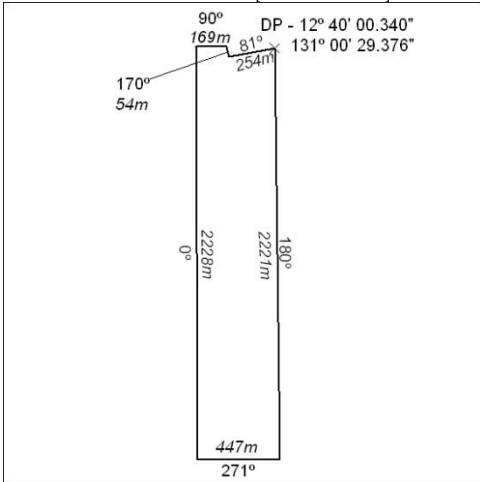
DARWIN

19 September 2017

Mineral Titles Act

NOTICE OF LAND CEASING TO BE A MINERAL TITLE

Title Type and Number: Extractive Mineral Permit 29447
 Area ceased on: 16 September 2017
 Area: 97.00 Hectare
 Locality: NOONAMAH
 Name of Applicant(s)/Holder(s): 100% TOMAZOS GROUP PTY LTD
 [ACN. 009 618 704]



459/17