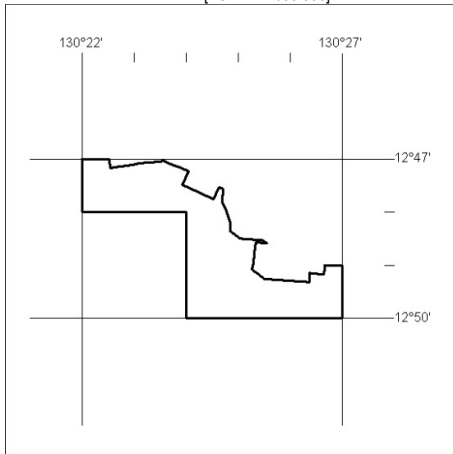


**Mineral Titles Act**

NOTICE OF LAND CEASING TO BE A MINERAL TITLE AREA

Title Type and Number: Exploration Licence 28947  
 Area Ceased on: 08 August 2014  
 Area: 8 Blocks, 19.67 sq kms  
 Locality: FOG BAY  
 Name of Holder/s: 100% RESOURCE BIO MANAGEMENT PTY LTD [ACN. 124 655 858]

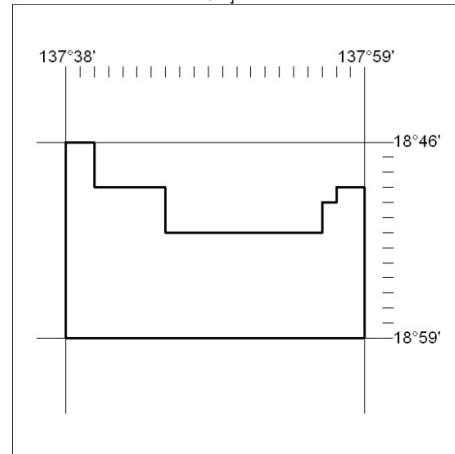


319/14

**Mineral Titles Act**

NOTICE OF LAND CEASING TO BE A MINERAL TITLE AREA

Title Type and Number: Exploration Licence 29760  
 Area Ceased on: 07 August 2014  
 Area: 182 Blocks, 591.36 sq kms  
 Locality: CARRARA  
 Name of Holder/s: 100% TECK AUSTRALIA PTY LTD [ACN. 091 271 911]

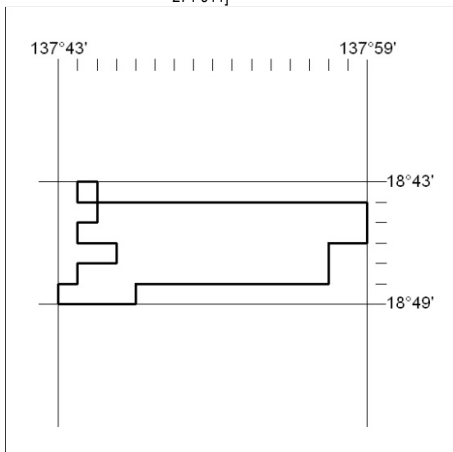


321/14

**Mineral Titles Act**

NOTICE OF LAND CEASING TO BE A MINERAL TITLE AREA

Title Type and Number: Exploration Licence 29558  
 Area Ceased on: 07 August 2014  
 Area: 58 Blocks, 188.60 sq kms  
 Locality: CARRARA  
 Name of Holder/s: 100% TECK AUSTRALIA PTY LTD [ACN. 091 271 911]

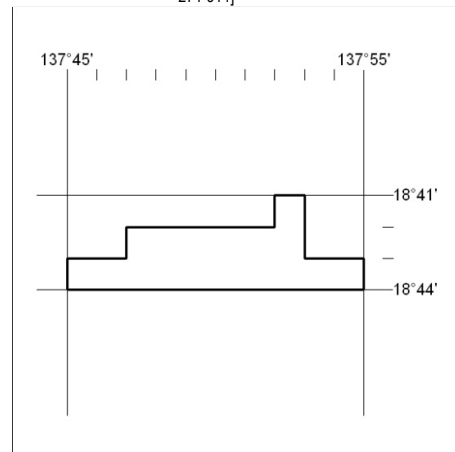


320/14

**Mineral Titles Act**

NOTICE OF LAND CEASING TO BE A MINERAL TITLE AREA

Title Type and Number: Exploration Licence 29761  
 Area Ceased on: 07 August 2014  
 Area: 17 Blocks, 55.32 sq kms  
 Locality: CARRARA  
 Name of Holder/s: 100% TECK AUSTRALIA PTY LTD [ACN. 091 271 911]

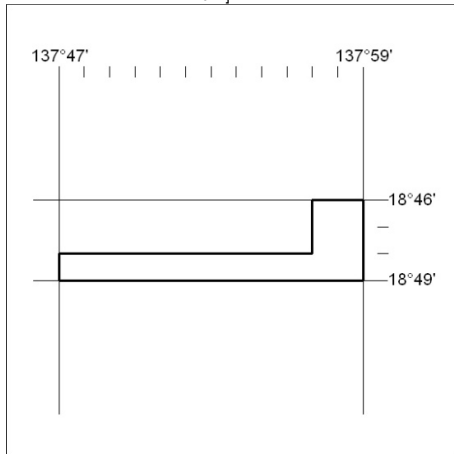


322/14

**Mineral Titles Act**

NOTICE OF LAND CEASING TO BE A MINERAL TITLE AREA

Title Type and Number: Exploration Licence 29791  
 Area Ceased on: 07 August 2014  
 Area: 16 Blocks, 52.04 sq kms  
 Locality: CARRARA  
 Name of Holder/s: 100% TECK AUSTRALIA PTY LTD [ACN. 091 271 911]

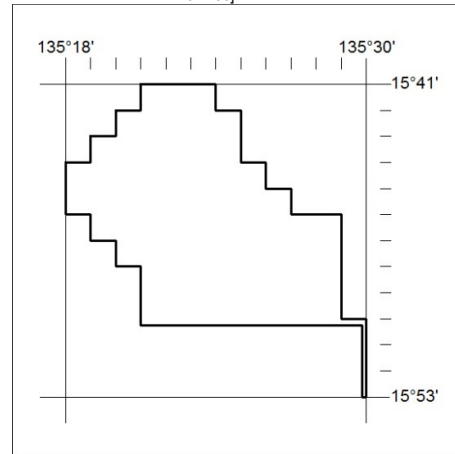


323/14

**Mineral Titles Act**

NOTICE OF LAND CEASING TO BE A MINERAL TITLE AREA

Title Type and Number: Exploration Licence 30305  
 Area Ceased on: 11 August 2014  
 Area: 77 Blocks, 227.49 sq kms  
 Locality: ADAM  
 Name of Holder/s: 100% SANDFIRE RESOURCES NL [ACN. 105 154 185]

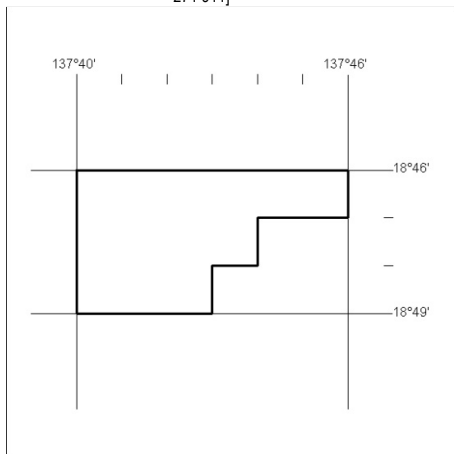


325/14

**Mineral Titles Act**

NOTICE OF LAND CEASING TO BE A MINERAL TITLE AREA

Title Type and Number: Exploration Licence 29792  
 Area Ceased on: 07 August 2014  
 Area: 13 Blocks, 42.27 sq kms  
 Locality: CARRARA  
 Name of Holder/s: 100% TECK AUSTRALIA PTY LTD [ACN. 091 271 911]



324/14