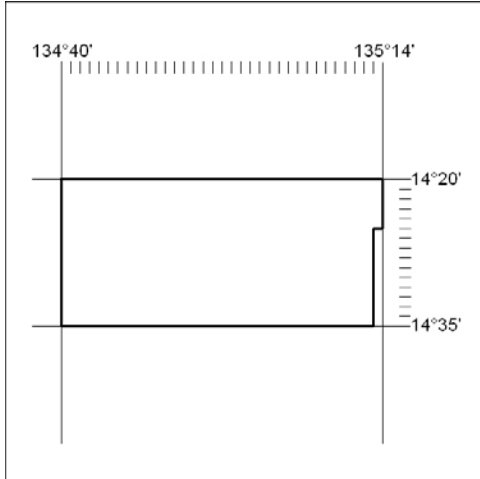


### Mineral Titles Act

#### NOTICE OF LAND CEASING TO BE A MINERAL TITLE AREA

Title Type and Number: Exploration Licence 25383  
 Area Ceased on: 30 October 2015  
 Area: 500 Blocks, 1662.83 sq kms  
 Locality: BENDA  
 Name of Applicant(s)/Holder(s): 100% CARPENTARIA MINERALS PTY LTD [ACN. 158 238 610]

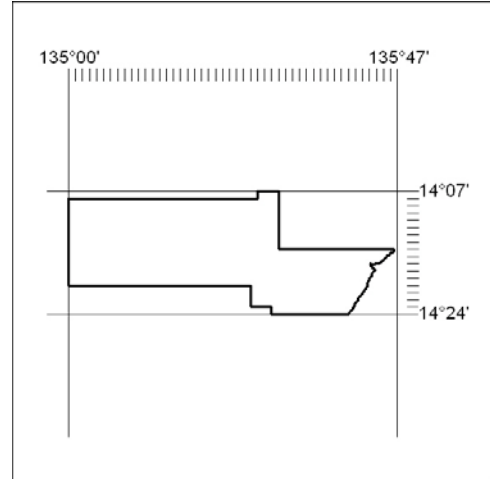


554/15

### Mineral Titles Act

#### NOTICE OF LAND CEASING TO BE A MINERAL TITLE AREA

Title Type and Number: Exploration Licence 25390  
 Area Ceased on: 30 October 2015  
 Area: 500 Blocks, 1638.59 sq kms  
 Locality: PHELP  
 Name of Applicant(s)/Holder(s): 100% CARPENTARIA MINERALS PTY LTD [ACN. 158 238 610]

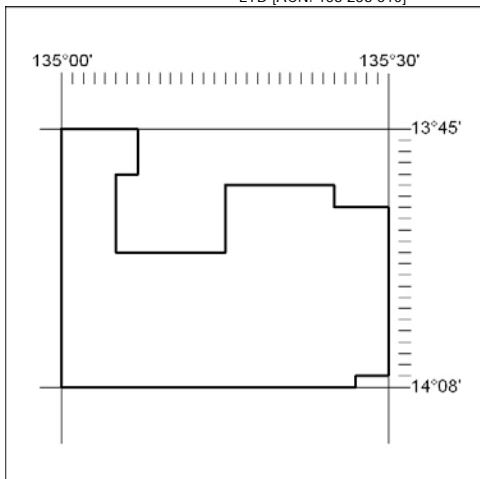


556/15

### Mineral Titles Act

#### NOTICE OF LAND CEASING TO BE A MINERAL TITLE AREA

Title Type and Number: Exploration Licence 25388  
 Area Ceased on: 30 October 2015  
 Area: 500 Blocks, 1666.70 sq kms  
 Locality: PARSONS  
 Name of Applicant(s)/Holder(s): 100% CARPENTARIA MINERALS PTY LTD [ACN. 158 238 610]

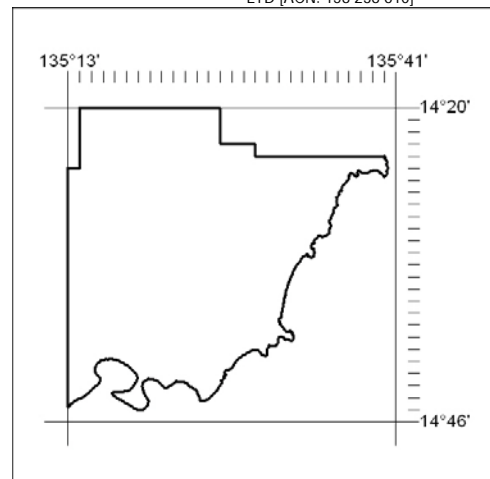


555/15

### Mineral Titles Act

#### NOTICE OF LAND CEASING TO BE A MINERAL TITLE AREA

Title Type and Number: Exploration Licence 25392  
 Area Ceased on: 30 October 2015  
 Area: 470 Blocks, 1428.96 sq kms  
 Locality: ROPER  
 Name of Applicant(s)/Holder(s): 100% CARPENTARIA MINERALS PTY LTD [ACN. 158 238 610]

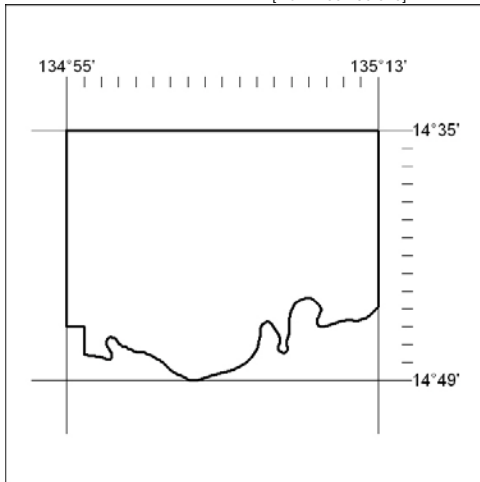


557/15

Mineral Titles Act

NOTICE OF LAND CEASING TO BE A MINERAL TITLE AREA

Title Type and Number: Exploration Licence 25394  
 Area Ceased on: 30 October 2015  
 Area: 229 Blocks, 714.54 sq kms  
 Locality: ROPER  
 Name of Applicant(s)/Holder(s): 100% CARPENTARIA MINERALS PTY LTD [ACN. 158 238 610]

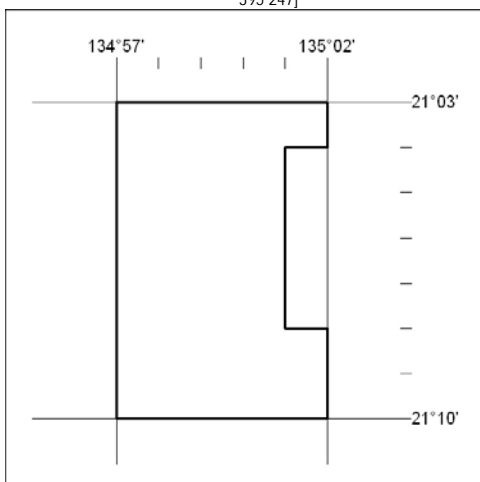


558/15

Mineral Titles Act

NOTICE OF LAND CEASING TO BE A MINERAL TITLE AREA

Title Type and Number: Exploration Licence 28764  
 Area Ceased on: 02 November 2015  
 Area: 31 Blocks, 99.33 sq kms  
 Locality: ELKEDRA  
 Name of Applicant(s)/Holder(s): 100% AUSTRALIA MINING & GEMSTONE CO. PTY LTD [ACN. 114 395 247]



559/15