

MN18/18

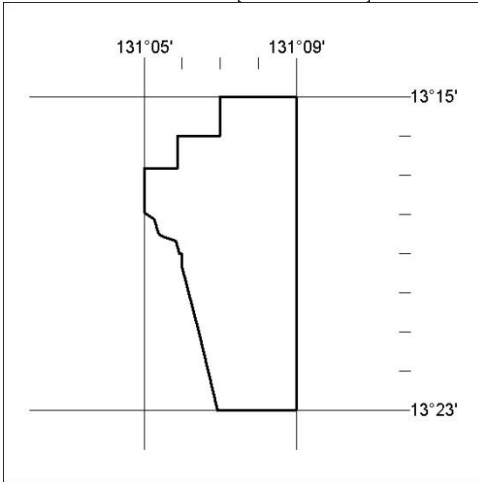
DARWIN

1 February 2018

Mineral Titles Act

NOTICE OF LAND CEASING TO BE A MINERAL TITLE AREA

Title Type and Number: Exploration Licence 24550
 Area Ceased on: 01 February 2018
 Area: 26 Blocks, 76.94 sq kms
 Locality: BATCHELOR
 Name of Applicant(s)/Holder(s): 100% MAGNETITE MINES LIMITED*
 [ACN. 108 102 432]

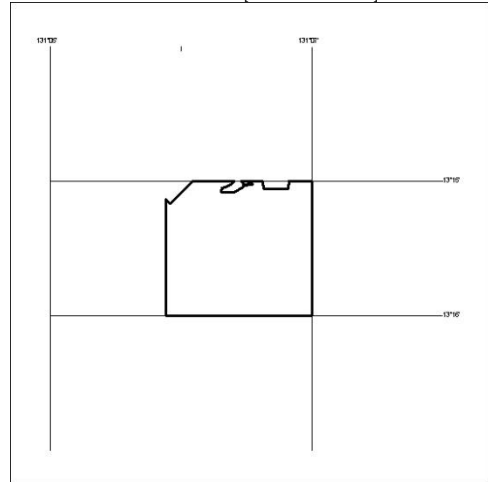


55/18

Mineral Titles Act

NOTICE OF LAND CEASING TO BE A MINERAL TITLE AREA

Title Type and Number: Exploration Licence 27354
 Area Ceased on: 01 February 2018
 Area: 2 Blocks, 3.59 sq kms
 Locality: BATCHELOR
 Name of Applicant(s)/Holder(s): 100% MAGNETITE MINES LIMITED*
 [ACN. 108 102 432]

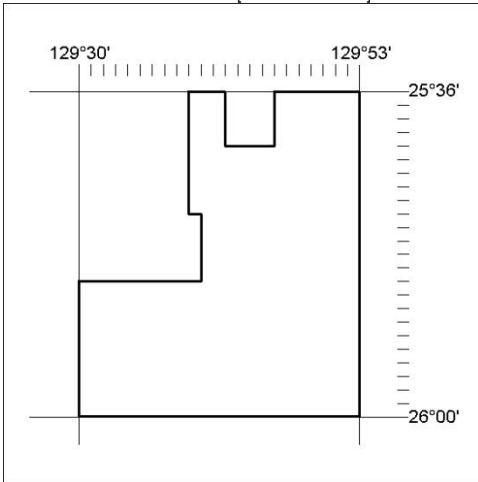


57/18

Mineral Titles Act

NOTICE OF LAND CEASING TO BE A MINERAL TITLE AREA

Title Type and Number: Exploration Licence 25568
 Area Ceased on: 31 January 2018
 Area: 405 Blocks, 1246.34 sq kms
 Locality: DUFFIELD
 Name of Applicant(s)/Holder(s): 100% GEMPART (NT) PTY LTD*
 [ACN. 081 859 896]

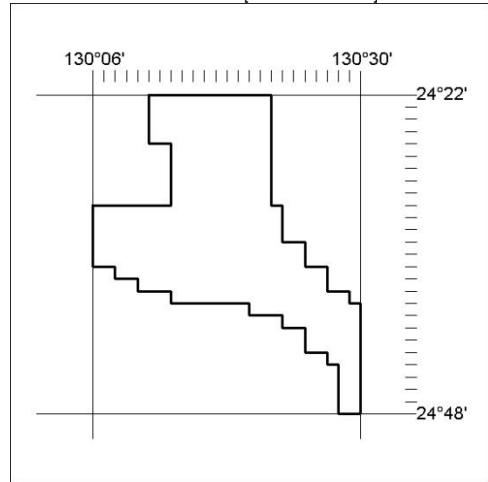


56/18

Mineral Titles Act

NOTICE OF LAND CEASING TO BE A MINERAL TITLE AREA

Title Type and Number: Exploration Licence 28421
 Area Ceased on: 31 January 2018
 Area: 268 Blocks, 837.20 sq kms
 Locality: IMBUMBUNNA
 Name of Applicant(s)/Holder(s): 100% GEMPART (NT) PTY LTD*
 [ACN. 081 859 896]



58/18

MN18/18

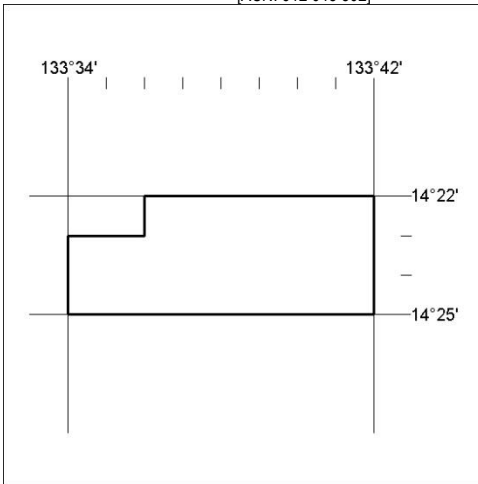
DARWIN

1 February 2018

Mineral Titles Act

NOTICE OF LAND CEASING TO BE A MINERAL TITLE AREA

Title Type and Number: Exploration Licence 30860
 Area Ceased on: 01 February 2018
 Area: 22 Blocks, 73.19 sq kms
 Locality: FLYING FOX
 Name of Applicant(s)/Holder(s): 100% BOAB RESOURCES PTY LTD
 [ACN. 612 043 302]

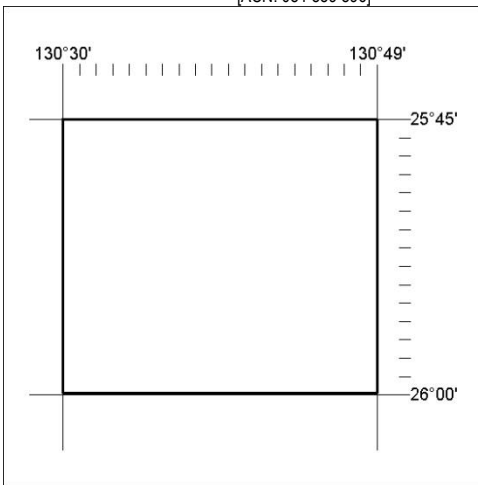


59/18

Mineral Titles Act

NOTICE OF LAND CEASING TO BE A MINERAL TITLE AREA

Title Type and Number: Exploration Licence 31088
 Area Ceased on: 31 January 2018
 Area: 285 Blocks, 875.55 sq kms
 Locality: ALLANAH
 Name of Applicant(s)/Holder(s): 100% GEMPART (NT) PTY LTD*
 [ACN. 081 859 896]



60/18