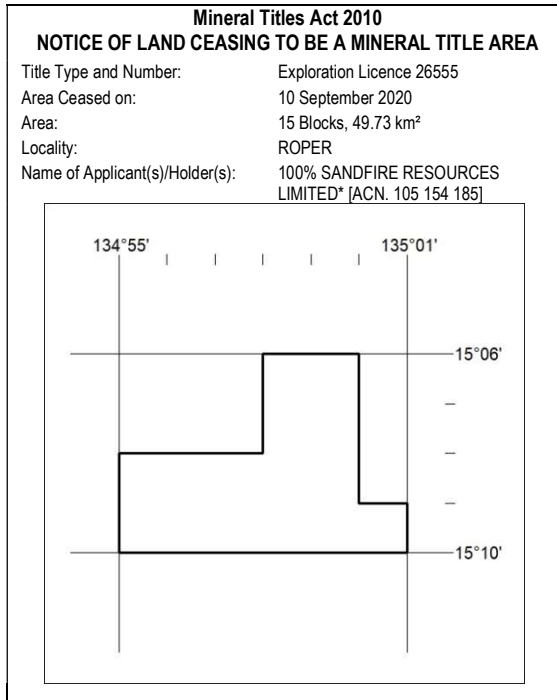


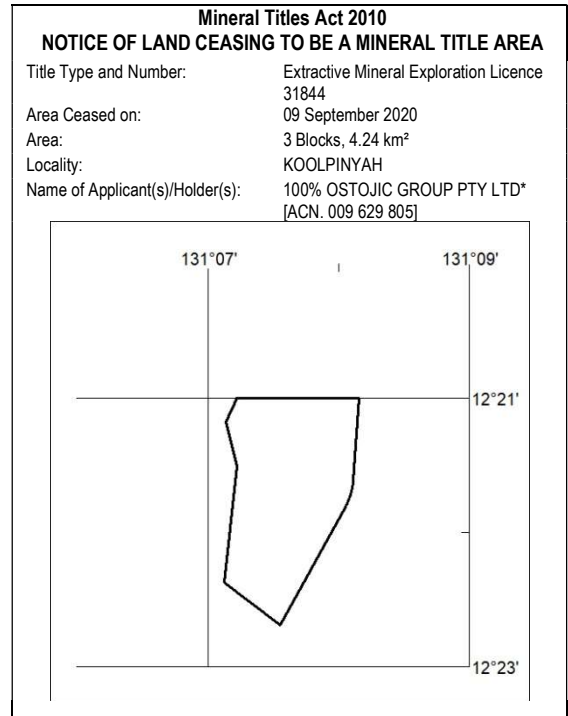
MN92/20

DARWIN

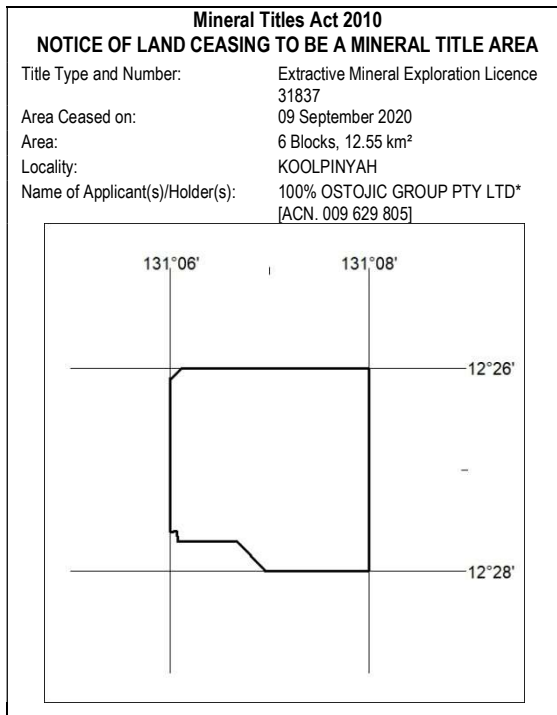
11 September 2020



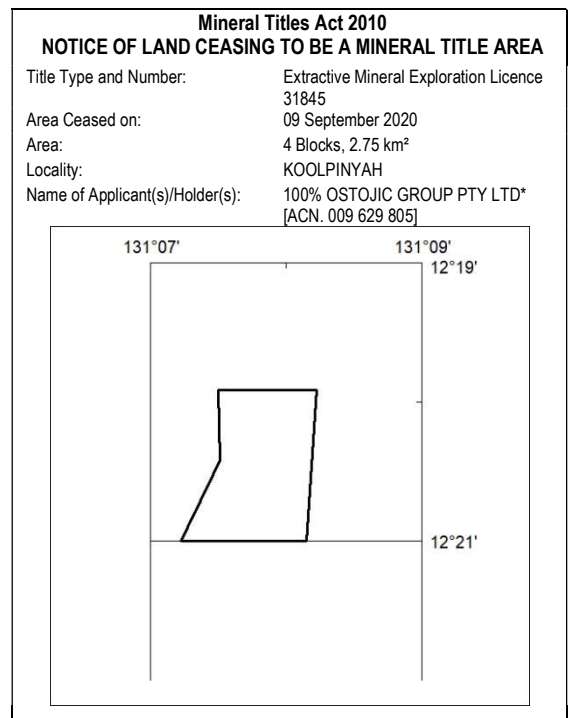
308/20



310/20



309/20



311/20

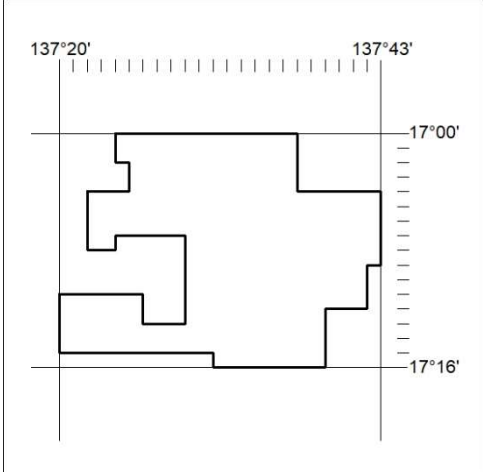
MN92/20

DARWIN

11 September 2020

Mineral Titles Act
NOTICE OF GRANT OF A MINERAL TITLE

Title Type and Number: Exploration Licence 32323
Granted: 10 September 2020, for a period of 6 Years
Area: 250 Blocks, 820.51 km²
Locality: WOLLOGORANG
Name of Holder/s: 100% REDBANK OPERATIONS PTY LTD*
[ACN. 109 362 165]

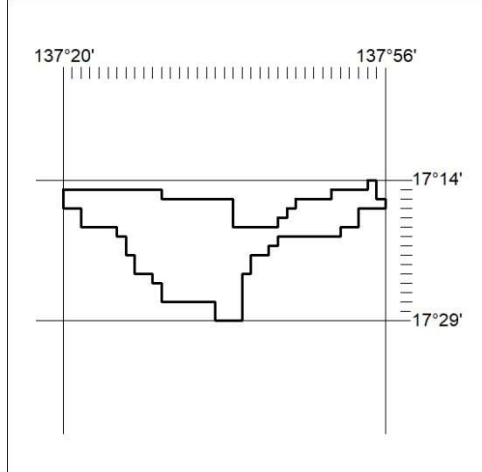


Area granted is indicated above. The titleholder is not permitted to exercise occupational rights on any land that is subject to a development title, or an application for a development title. Any land the subject of a Reserved Land gazettal under the *Mineral Titles Act* and all land vested in the Commonwealth of Australia is also excluded by description but not excised from the grant area.

312/20

Mineral Titles Act
NOTICE OF GRANT OF A MINERAL TITLE

Title Type and Number: Exploration Licence 32325
Granted: 10 September 2020, for a period of 6 Years
Area: 215 Blocks, 704.85 km²
Locality: WOLLOGORANG
Name of Holder/s: 100% REDBANK OPERATIONS PTY LTD*
[ACN. 109 362 165]

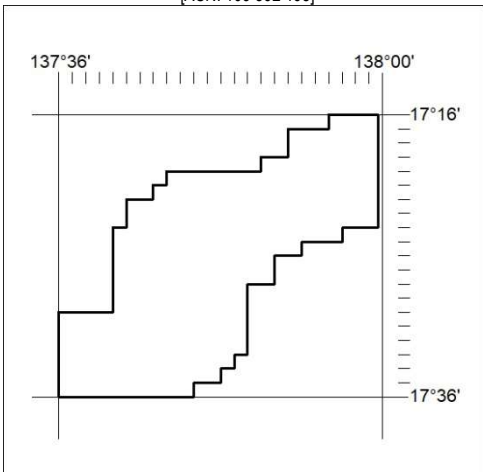


Area granted is indicated above. The titleholder is not permitted to exercise occupational rights on any land that is subject to a development title, or an application for a development title. Any land the subject of a Reserved Land gazettal under the *Mineral Titles Act* and all land vested in the Commonwealth of Australia is also excluded by description but not excised from the grant area.

314/20

Mineral Titles Act
NOTICE OF GRANT OF A MINERAL TITLE

Title Type and Number: Exploration Licence 32324
Granted: 10 September 2020, for a period of 6 Years
Area: 250 Blocks, 811.41 km²
Locality: WOLLOGORANG
Name of Holder/s: 100% REDBANK OPERATIONS PTY LTD*
[ACN. 109 362 165]



Area granted is indicated above. The titleholder is not permitted to exercise occupational rights on any land that is subject to a development title, or an application for a development title. Any land the subject of a Reserved Land gazettal under the *Mineral Titles Act* and all land vested in the Commonwealth of Australia is also excluded by description but not excised from the grant area.

313/20