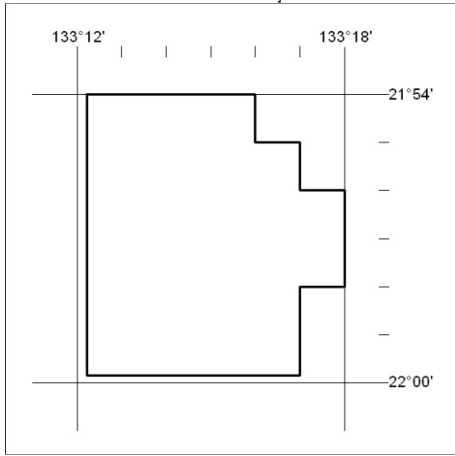


Mineral Titles Act

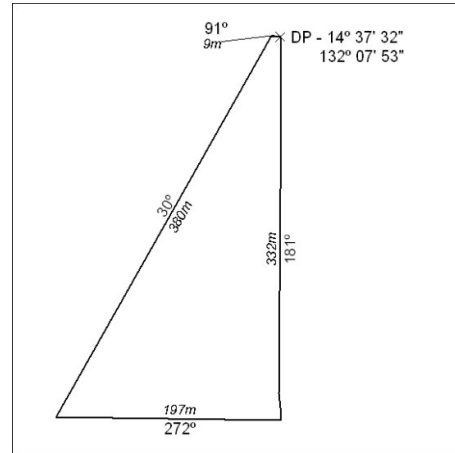
NOTICE OF LAND CEASING TO BE A MINERAL TITLE AREA
 Title Type and Number: Exploration Licence 25694
 Area Ceased on: 29 June 2015
 Area: 31 Blocks, 92.25 sq kms
 Locality: ANNINGIE
 Name of Applicant(s)/Holder(s): 100% TIANDA URANIUM (AUSTRALIA) PTY. LTD. [ACN. 132 075 935]



231/15

Mineral Titles Act

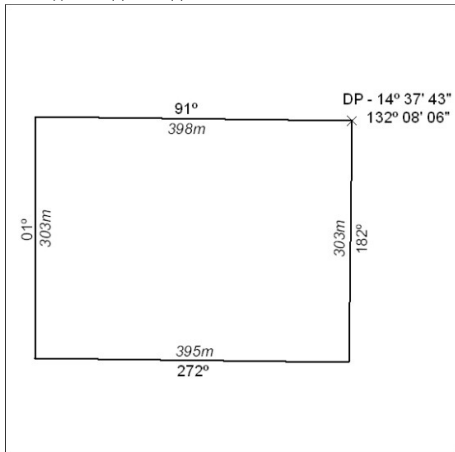
NOTICE OF LAND CEASING TO BE A MINERAL TITLE
 Title Type and Number: Extractive Mineral Permit 27766
 Area ceased on: 17 June 2015
 Area: 3.00 Hectare
 Locality: MANBULLOO
 Name of Applicants(s)/Holder(s): 100% HOLT Robert



233/15

Mineral Titles Act

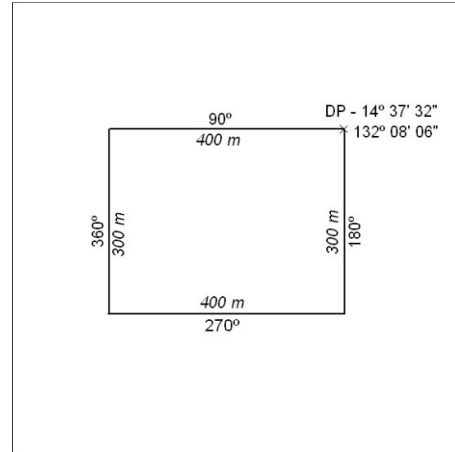
NOTICE OF LAND CEASING TO BE A MINERAL TITLE
 Title Type and Number: Extractive Mineral Permit 27765
 Area ceased on: 17 June 2015
 Area: 12.00 Hectare
 Locality: MANBULLOO
 Name of Applicants(s)/Holder(s): 100% HOLT Robert



232/15

Mineral Titles Act

NOTICE OF LAND CEASING TO BE A MINERAL TITLE
 Title Type and Number: Extractive Mineral Permit 22794
 Area ceased on: 17 June 2015
 Area: 12.00 Hectare
 Locality: MANBULLOO
 Name of Applicants(s)/Holder(s): 100% HOLT Robert

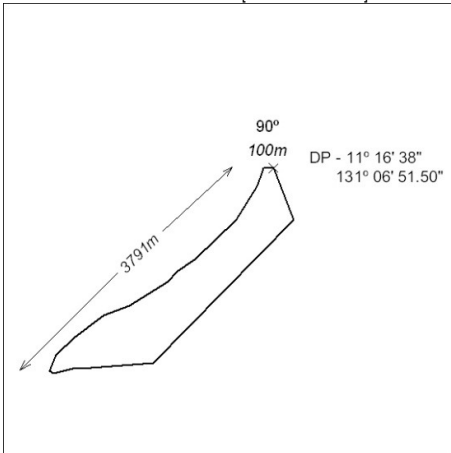


234/15

Mineral Titles Act

NOTICE OF LAND CEASING TO BE A MINERAL TITLE

Title Type and Number: Mineral Lease 26471
 Area ceased on: 25 June 2015
 Area: 230.00 Hectares
 Locality: JAHLEEL
 Name of Applicant(s)/Holder(s): 100% MZI RESOURCES LIMITED*
 [ACN. 077 221 722]

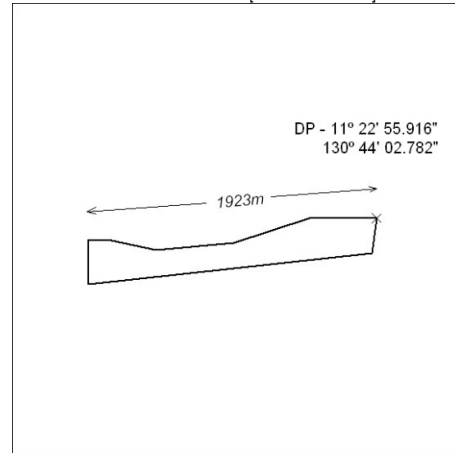


235/15

Mineral Titles Act

NOTICE OF LAND CEASING TO BE A MINERAL TITLE

Title Type and Number: Mineral Lease 26475
 Area ceased on: 25 June 2015
 Area: 42.00 Hectare
 Locality: SNAKE BAY
 Name of Applicant(s)/Holder(s): 100% MZI RESOURCES LIMITED*
 [ACN. 077 221 722]

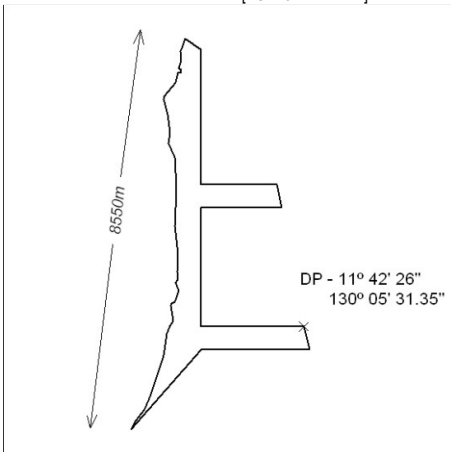


237/15

Mineral Titles Act

NOTICE OF LAND CEASING TO BE A MINERAL TITLE

Title Type and Number: Mineral Lease 26472
 Area ceased on: 25 June 2015
 Area: 626.00 Hectares
 Locality: BATHURST ISLAND
 Name of Applicant(s)/Holder(s): 100% MZI RESOURCES LIMITED*
 [ACN. 077 221 722]

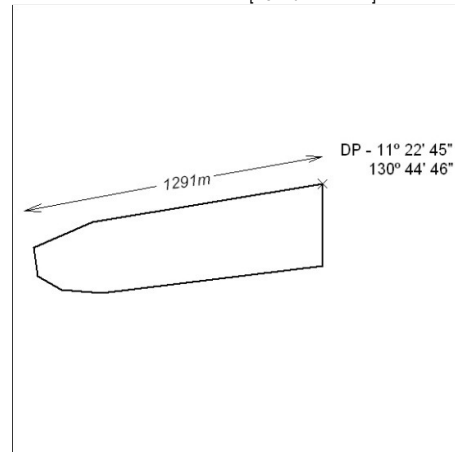


236/15

Mineral Titles Act

NOTICE OF LAND CEASING TO BE A MINERAL TITLE

Title Type and Number: Mineral Lease 26476
 Area ceased on: 25 June 2015
 Area: 38.00 Hectare
 Locality: SNAKE BAY
 Name of Applicant(s)/Holder(s): 100% MZI RESOURCES LIMITED*
 [ACN. 077 221 722]



238/15

Mineral Titles Act

NOTICE OF LAND CEASING TO BE A MINERAL TITLE

Title Type and Number: Mineral Lease 26477
Area ceased on: 25 June 2015
Area: 240.00 Hectares
Locality: SNAKE BAY
Name of Applicant(s)/Holder(s): 100% MZI RESOURCES LIMITED*
[ACN. 077 221 722]

