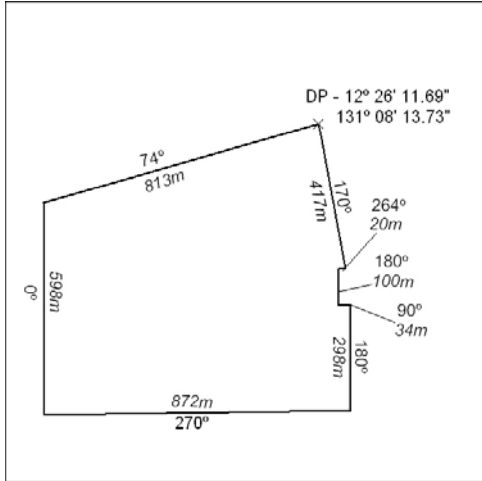


Mineral Titles Act

NOTICE OF LAND CEASING TO BE A MINERAL TITLE

Title Type and Number: Extractive Mineral Permit 30680
 Area ceased on: 13 January 2016
 Area: 60.00 Hectare
 Locality: KOOLPINYAH
 Name of Applicant(s)/Holder(s): 100% A AND SF MADDALOZZO PTY. LIMITED [ACN. 009 624 015]

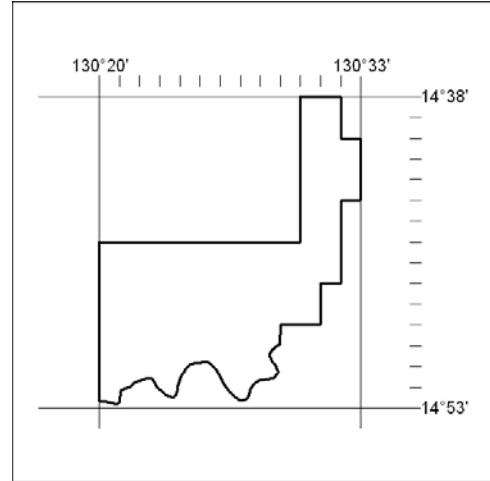


18/16

Mineral Titles Act

NOTICE OF LAND CEASING TO BE A MINERAL TITLE AREA

Title Type and Number: Exploration Licence 25733
 Area Ceased on: 12 January 2016
 Area: 98 Blocks, 292.53 sq kms
 Locality: FITZMAURICE
 Name of Applicant(s)/Holder(s): 100% OUTBACK METALS LIMITED [ACN. 126 797 573]

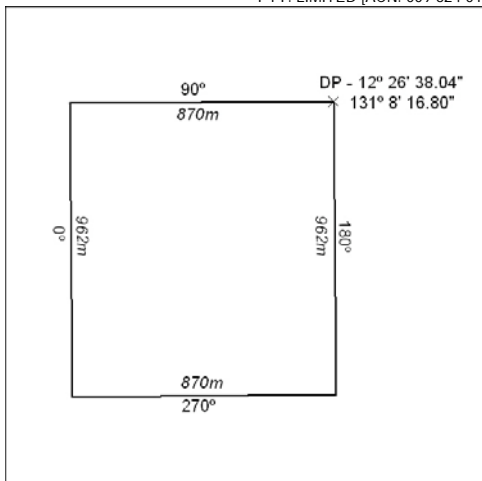


20/16

Mineral Titles Act

NOTICE OF LAND CEASING TO BE A MINERAL TITLE

Title Type and Number: Extractive Mineral Permit 30683
 Area ceased on: 13 January 2016
 Area: 84.00 Hectare
 Locality: KOOLPINYAH
 Name of Applicant(s)/Holder(s): 100% A AND SF MADDALOZZO PTY. LIMITED [ACN. 009 624 015]

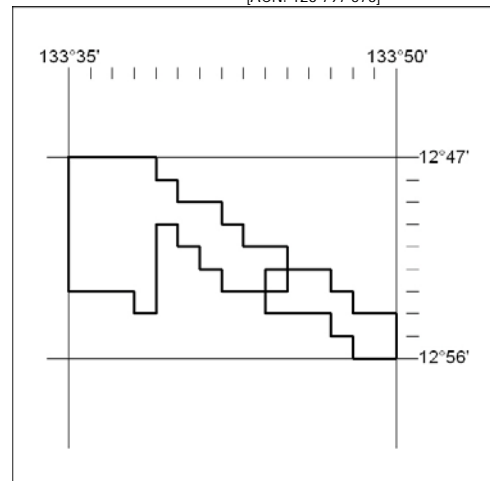


19/16

Mineral Titles Act

NOTICE OF LAND CEASING TO BE A MINERAL TITLE AREA

Title Type and Number: Exploration Licence 25908
 Area Ceased on: 12 January 2016
 Area: 49 Blocks, 164.08 sq kms
 Locality: LIVERPOOL
 Name of Applicant(s)/Holder(s): 100% OUTBACK METALS LIMITED [ACN. 126 797 573]



21/16

Mineral Titles Act

NOTICE OF LAND CEASING TO BE A MINERAL TITLE AREA

Title Type and Number: Exploration Licence 29784
Area Ceased on: 12 January 2016
Area: 248 Blocks, 802.87 sq kms
Locality: EVA VALLEY
Name of Applicant(s)/Holder(s): 100% OUTBACK METALS LIMITED
[ACN. 126 797 573]

