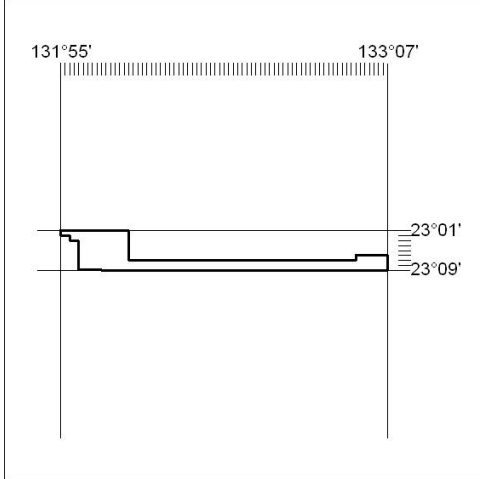


Mineral Titles Act

NOTICE OF LAND CEASING TO BE A MINERAL TITLE AREA

Title Type and Number: Exploration Licence 27284
 Area Ceased on: 04 February 2016
 Area: 215 Blocks, 679.50 sq kms
 Locality: GLEN HELEN
 Name of Applicant(s)/Holder(s): 100% CROSSLAND NICKEL PTY LTD* [ACN. 099 477 915]

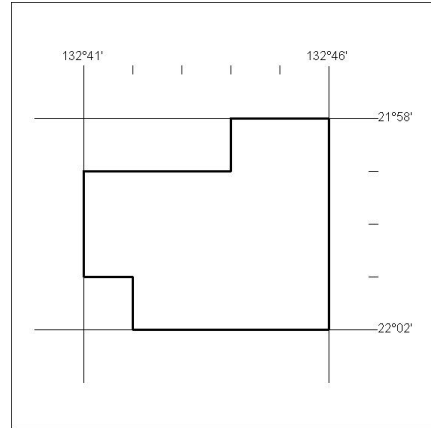


75/16

Mineral Titles Act

NOTICE OF LAND CEASING TO BE A MINERAL TITLE AREA

Title Type and Number: Exploration Licence 29758
 Area Ceased on: 04 February 2016
 Area: 16 Blocks, 50.95 sq kms
 Locality: MT PEAKE
 Name of Applicant(s)/Holder(s): 56.28% CROSSLAND NICKEL PTY LTD* [ACN. 099 477 915], 43.72% ESSENTIAL MINING RESOURCES PTY LTD

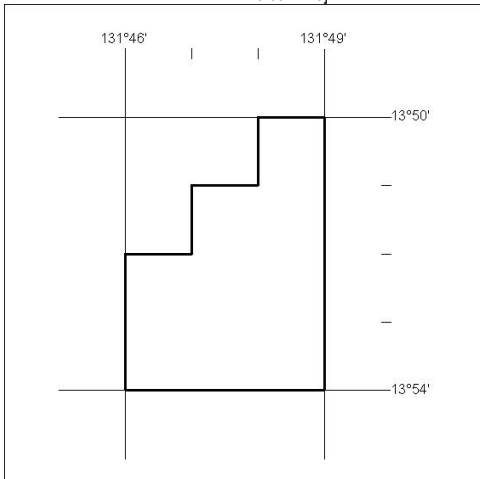


77/16

Mineral Titles Act

NOTICE OF LAND CEASING TO BE A MINERAL TITLE AREA

Title Type and Number: Exploration Licence 29523
 Area Ceased on: 04 February 2016
 Area: 9 Blocks, 30.00 sq kms
 Locality: PINE CREEK
 Name of Applicant(s)/Holder(s): 100% ELEMENT 92 PTY LTD [ACN. 119 094 423]

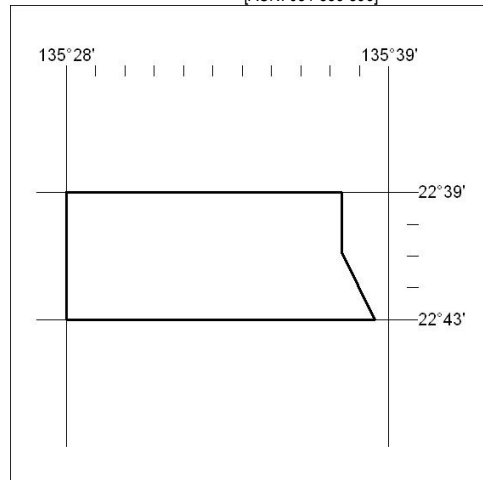


76/16

Mineral Titles Act

NOTICE OF LAND CEASING TO BE A MINERAL TITLE AREA

Title Type and Number: Exploration Licence 29994
 Area Ceased on: 04 February 2016
 Area: 41 Blocks, 122.72 sq kms
 Locality: JINKA
 Name of Applicant(s)/Holder(s): 100% GEMPART (NT) PTY LTD* [ACN. 081 859 896]



78/16

Mineral Titles Act

NOTICE OF LAND CEASING TO BE A MINERAL TITLE AREA

Title Type and Number: Exploration Licence 29995
Area Ceased on: 04 February 2016
Area: 25 Blocks, 79.07 sq kms
Locality: DNEIPER
Name of Applicant(s)/Holder(s): 100% GEMPART (NT) PTY LTD*
[ACN. 081 859 896]

