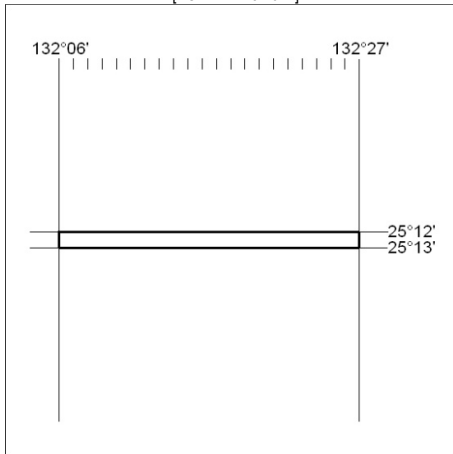


**Mineral Titles Act**

NOTICE OF LAND CEASING TO BE A MINERAL TITLE AREA

Title Type and Number: Exploration Licence 28272  
 Area Ceased on: 13 May 2015  
 Area: 21 Blocks, 64.99 sq kms  
 Locality: ANGAS  
 Name of Holder/s: 100% RUM JUNGLE RESOURCES LTD\*  
 [ACN. 122 131 622]



166/15

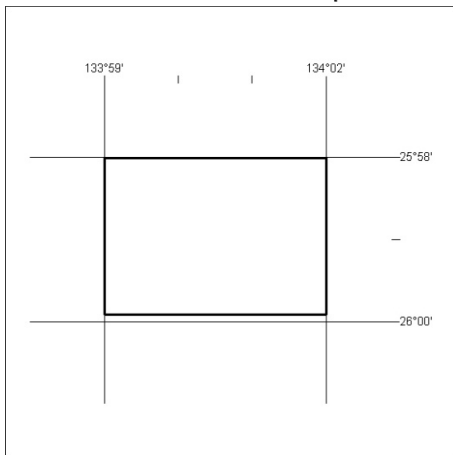
**Corrigendum**

Notice number 165/15 appearing in MN54/15 on 12 May 2015 is hereby cancelled.

**Mineral Titles Act**

NOTICE OF LAND CEASING TO BE A MINERAL TITLE AREA

Title Type and Number: Exploration Licence 30041  
 Area Ceased on: 13 May 2015  
 Area: 6 Blocks, 17.74 sq kms  
 Locality: BEDDOME  
 Name of Holder/s: 100% LASICO PTY LTD [ACN. 153 686 527]



167/15