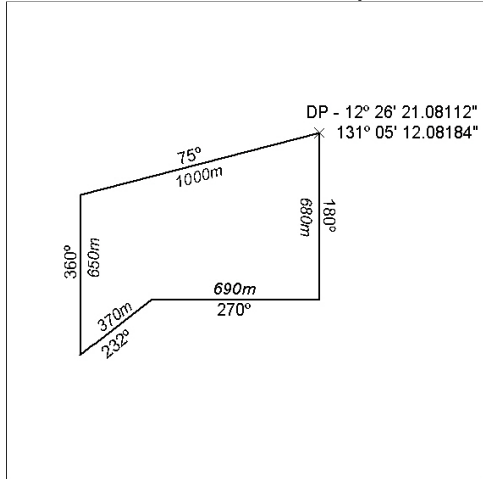


Mineral Titles Act

NOTICE OF LAND CEASING TO BE A MINERAL TITLE

Title Type and Number: Extractive Mineral Permit 28277
 Area ceased on: 02 October 2015
 Area: 57.00 Hectare
 Locality: KOOLPINYAH
 Name of Applicant(s)Holder(s): 100% BORAL RESOURCES (QLD) PTY LIMITED [ACN. 009 671 809]



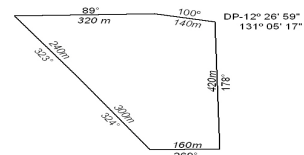
487/15

Mineral Titles Act

NOTICE OF LAND CEASING TO BE A MINERAL TITLE

Title Type and Number: Extractive Mineral Permit 23325
 Area ceased on: 02 October 2015
 Area: 14.00 Hectare
 Locality: KOOLPINYAH
 Name of Applicant(s)Holder(s): 100% BORAL RESOURCES (QLD) PTY LIMITED [ACN. 009 671 809]

**SECOND SCHEDULE
(Plan of Area)**



**EMP23325
14 Ha**

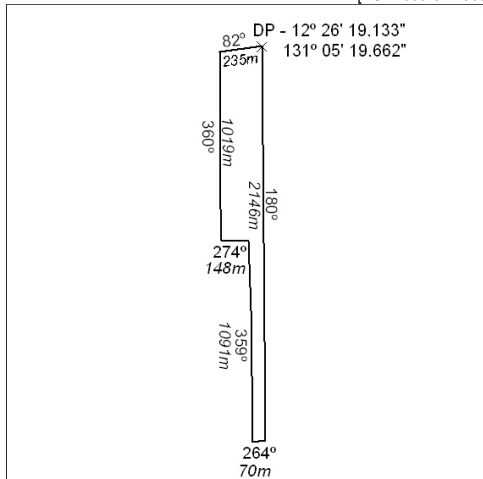
Datum: CGDA84

489/15

Mineral Titles Act

NOTICE OF LAND CEASING TO BE A MINERAL TITLE

Title Type and Number: Extractive Mineral Permit 29505
 Area ceased on: 02 October 2015
 Area: 33.00 Hectare
 Locality: KOOLPINYAH
 Name of Applicant(s)Holder(s): 100% BORAL RESOURCES (QLD) PTY LIMITED [ACN. 009 671 809]



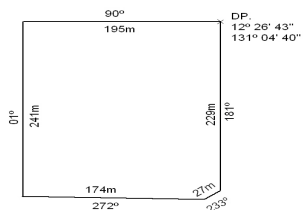
488/15

Mineral Titles Act

NOTICE OF LAND CEASING TO BE A MINERAL TITLE

Title Type and Number: Extractive Mineral Permit (Northern) 1330
 Area ceased on: 02 October 2015
 Area: 5.00 Hectare
 Locality: KOOLPINYAH
 Name of Applicant(s)Holder(s): 100% BORAL RESOURCES (QLD) PTY LIMITED [ACN. 009 671 809]

**SECOND SCHEDULE
(Plan of Area)**

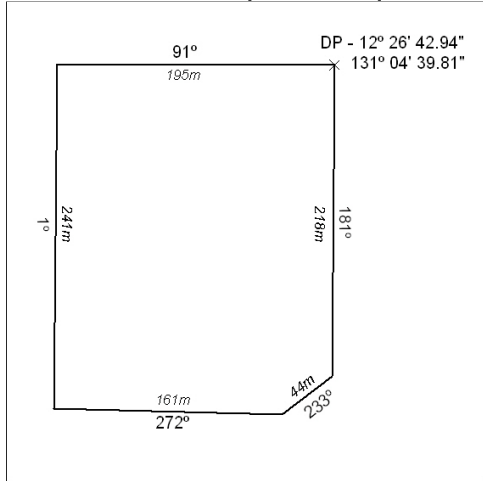


490/15

Mineral Titles Act

NOTICE OF GRANT OF A MINERAL TITLE

Title Type and Number: Extractive Mineral Lease 30140
 Granted: 02 October 2015, for a period of 10 Years
 Area: 4.70 Hectares
 Locality: KOOLPINYAH
 Name of Holder/s: 100% BORAL RESOURCES (QLD) PTY LIMITED [ACN. 009 671 809]

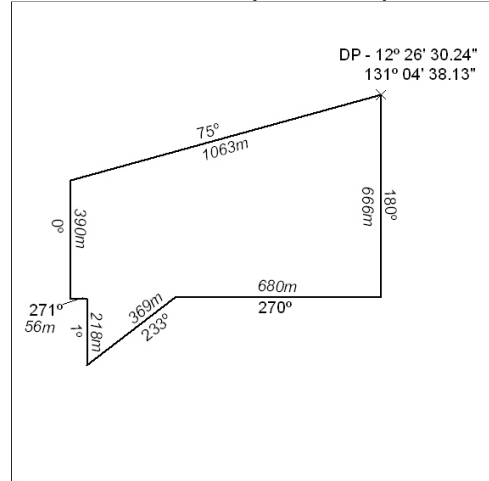


491/15

Mineral Titles Act

NOTICE OF GRANT OF A MINERAL TITLE

Title Type and Number: Extractive Mineral Lease 30142
 Granted: 02 October 2015, for a period of 10 Years
 Area: 56.99 Hectares
 Locality: KOOLPINYAH
 Name of Holder/s: 100% BORAL RESOURCES (QLD) PTY LIMITED [ACN. 009 671 809]

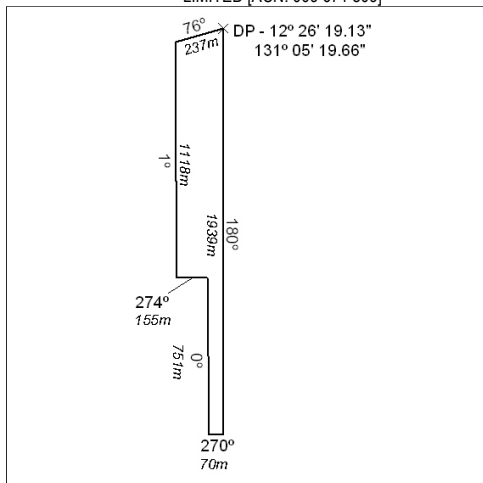


493/15

Mineral Titles Act

NOTICE OF GRANT OF A MINERAL TITLE

Title Type and Number: Extractive Mineral Lease 30141
 Granted: 02 October 2015, for a period of 10 Years
 Area: 31.82 Hectares
 Locality: KOOLPINYAH
 Name of Holder/s: 100% BORAL RESOURCES (QLD) PTY LIMITED [ACN. 009 671 809]

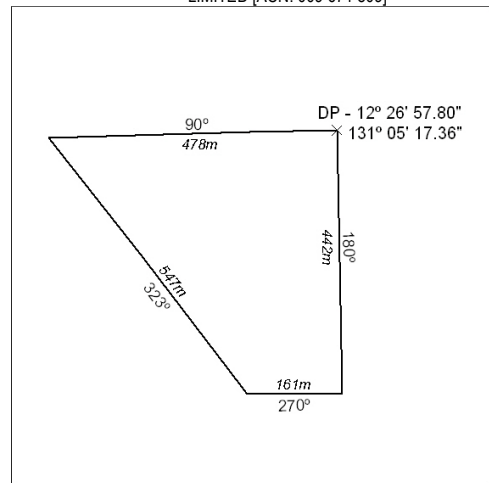


492/15

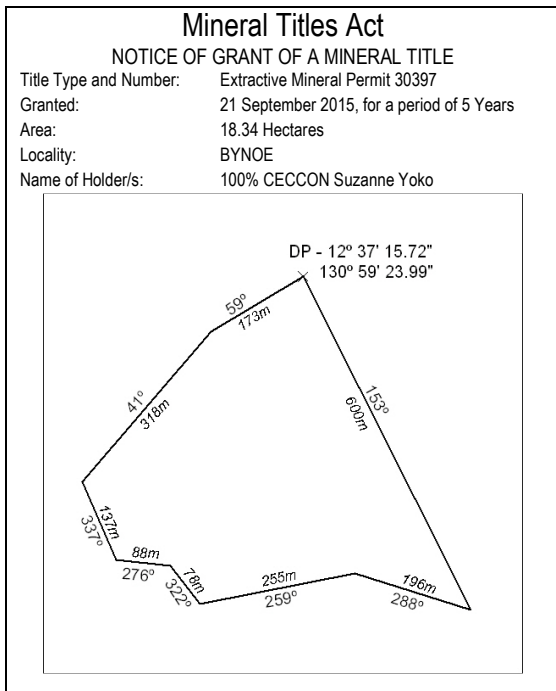
Mineral Titles Act

NOTICE OF GRANT OF A MINERAL TITLE

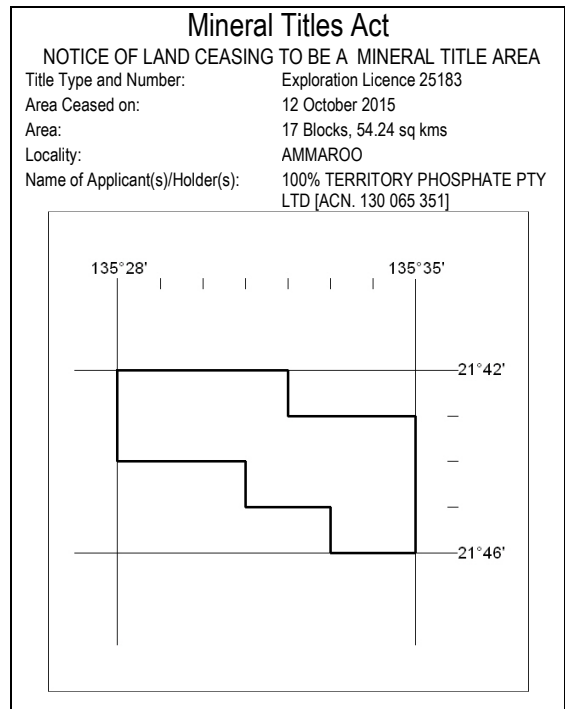
Title Type and Number: Extractive Mineral Lease 30143
 Granted: 02 October 2015, for a period of 10 Years
 Area: 13.90 Hectares
 Locality: KOOLPINYAH
 Name of Holder/s: 100% BORAL RESOURCES (QLD) PTY LIMITED [ACN. 009 671 809]



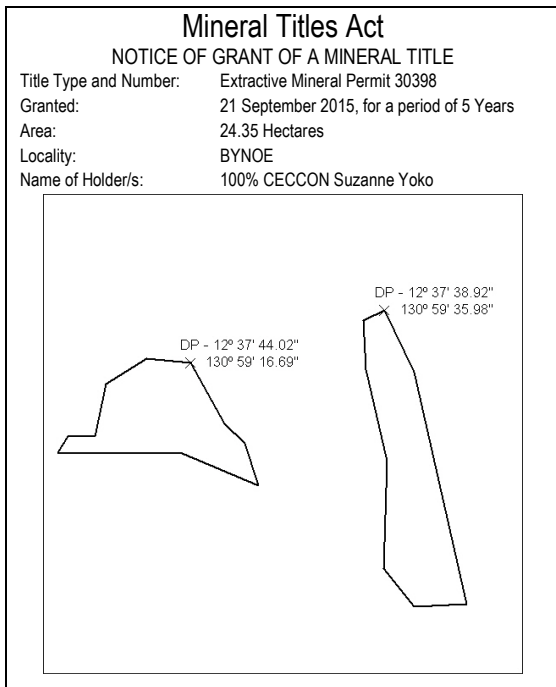
494/15



495/15



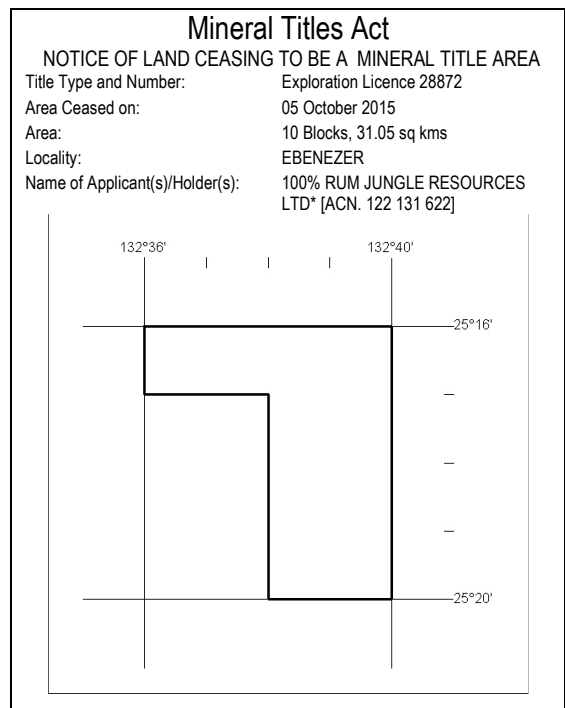
497/15



496/15

Corrigendum

Notice number 472/15 appearing in MN123/15 on 5 October 2015 is hereby cancelled and replaced by the following:



498/15