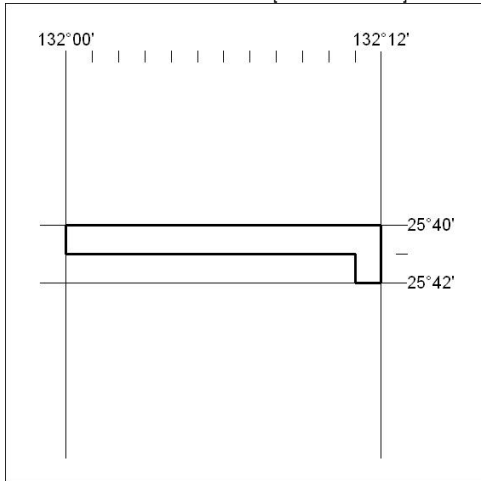


Mineral Titles Act

NOTICE OF LAND CEASING TO BE A MINERAL TITLE AREA

Title Type and Number: Exploration Licence 27417
 Area Ceased on: 01 June 2016
 Area: 13 Blocks, 40.23 sq kms
 Locality: SENTINEL BORE
 Name of Applicant(s)/Holder(s): 100% GLOBE MINERAL RESOURCES INVESTMENTS PTY LTD [ACN. 147 814 140]

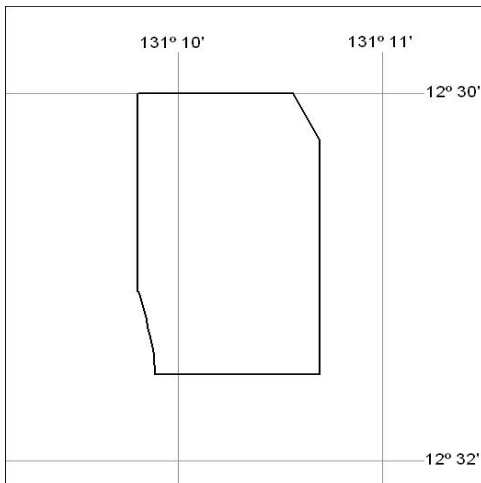


382/16

Mineral Titles Act

NOTICE OF GRANT OF A MINERAL TITLE

Title Type and Number: Mineral Authority 30930
 Granted: 30 May 2016, for a period of 2 Years
 Area: 4 Blocks
 Locality: NOONAMAH
 Name of Holder/s: 100% BANDIAS Leo John



383/16