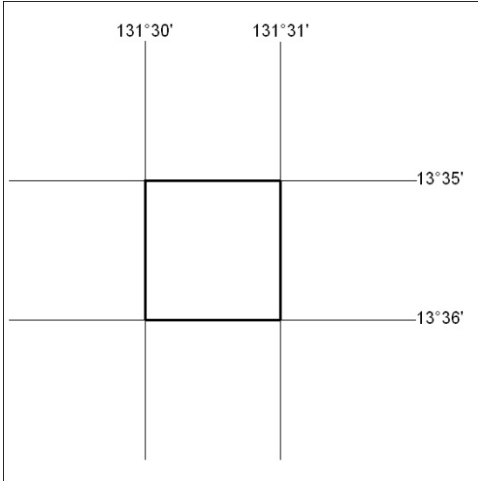


Mineral Titles Act

NOTICE OF LAND CEASING TO BE A MINERAL TITLE AREA

Title Type and Number: Extractive Mineral Exploration Licence 30239  
 Area Ceased on: 06 August 2016  
 Area: 1 Block, 3.34 sq kms  
 Locality: PINE CREEK  
 Name of Applicant(s)/Holder(s): 100% PAGE Dale Nevette

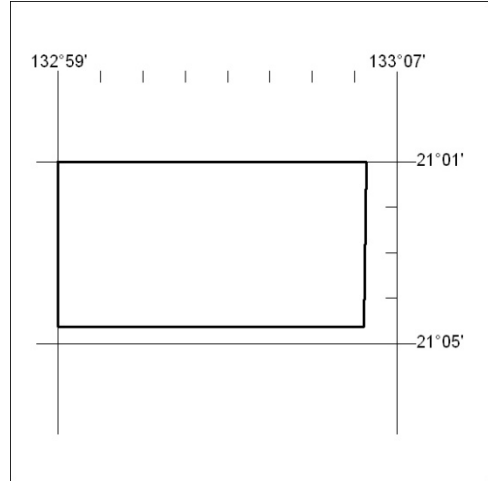


520/16

Mineral Titles Act

NOTICE OF LAND CEASING TO BE A MINERAL TITLE AREA

Title Type and Number: Exploration Licence 28996  
 Area Ceased on: 05 August 2016  
 Area: 32 Blocks, 84.43 sq kms  
 Locality: CONICAL HILL  
 Name of Applicant(s)/Holder(s): 100% TORO ENERGY LIMITED [ACN. 117 127 590]

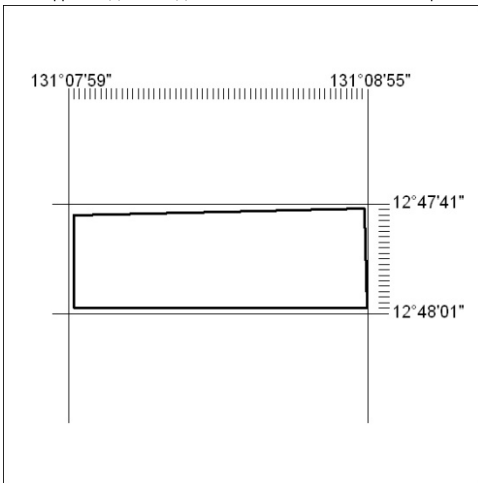


522/16

Mineral Titles Act

NOTICE OF LAND CEASING TO BE A MINERAL TITLE AREA

Title Type and Number: Extractive Mineral Exploration Licence 30282  
 Area Ceased on: 12 August 2016  
 Area: 1 Block, .89 sq kms  
 Locality: NOONAMAH  
 Name of Applicant(s)/Holder(s): 100% SKEWES Daniel Joseph



521/16