

MN34/17

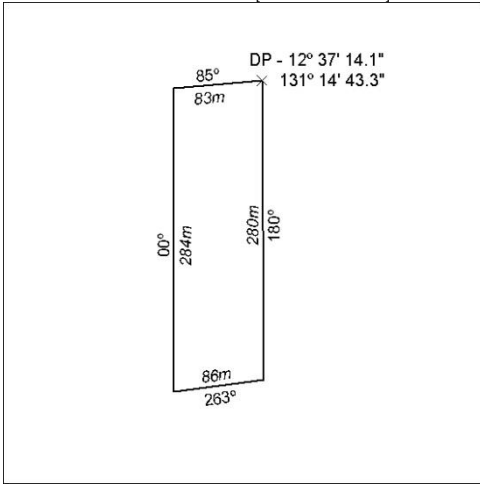
DARWIN

02 March 2017

Mineral Titles Act

NOTICE OF LAND CEASING TO BE A MINERAL TITLE

Title Type and Number: Extractive Mineral Permit 27935
 Area ceased on: 24 February 2017
 Area: 2.00 Hectare
 Locality: NOONAMAH
 Name of Applicant(s)Holder(s): 100% OSTOJIC GROUP PTY LTD*
 [ACN. 009 629 805]

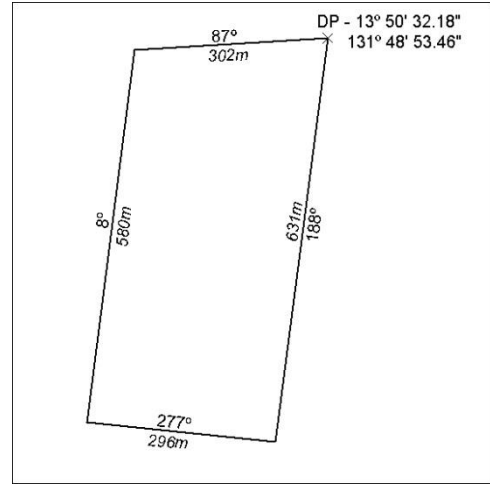


126/17

Mineral Titles Act

NOTICE OF LAND CEASING TO BE A MINERAL TITLE

Title Type and Number: Mineral Lease (Northern) 95
 Area ceased on: 28 February 2017
 Area: 18.00 Hectare
 Locality: PINE CREEK
 Name of Applicant(s)Holder(s): 50% MARTIN Stephen Kenneth,
 50% OATES John Charles

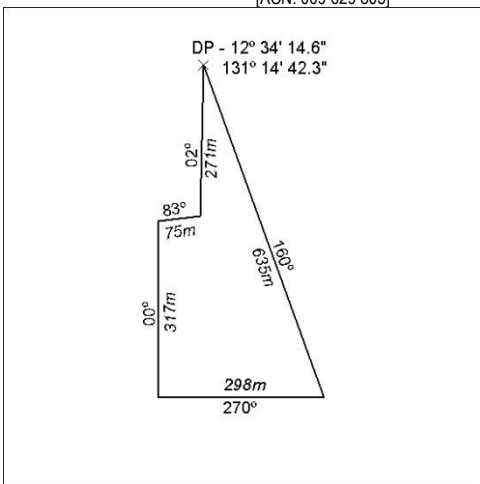


128/17

Mineral Titles Act

NOTICE OF LAND CEASING TO BE A MINERAL TITLE

Title Type and Number: Extractive Mineral Permit 30685
 Area ceased on: 24 February 2017
 Area: 9.00 Hectare
 Locality: NOONAMAH
 Name of Applicant(s)Holder(s): 100% OSTOJIC GROUP PTY LTD*
 [ACN. 009 629 805]



127/17