

MN02/18

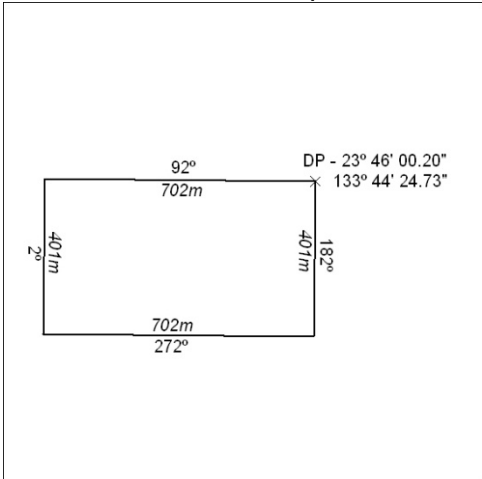
DARWIN

3 January 2018

Mineral Titles Act

NOTICE OF LAND CEASING TO BE A MINERAL TITLE

Title Type and Number: Mineral Authority 25471
 Area ceased on: 01 January 2018
 Area: 28.00 Hectare
 Locality: ALICE SPRINGS
 Name of Applicant(s)/Holder(s): 100% SPACE DYNAMICS RESEARCH PTY. LTD. [ACN. 009 626 457]

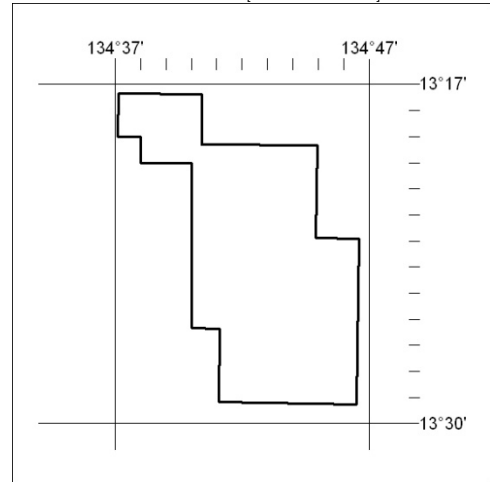


06/18

Mineral Titles Act

NOTICE OF LAND CEASING TO BE A MINERAL TITLE AREA

Title Type and Number: Exploration Licence 28067
 Area Ceased on: 29 December 2017
 Area: 78 Blocks, 212.51 sq kms
 Locality: ADAM
 Name of Applicant(s)/Holder(s): 100% MERLIN DIAMONDS LIMITED* [ACN. 009 153 119]

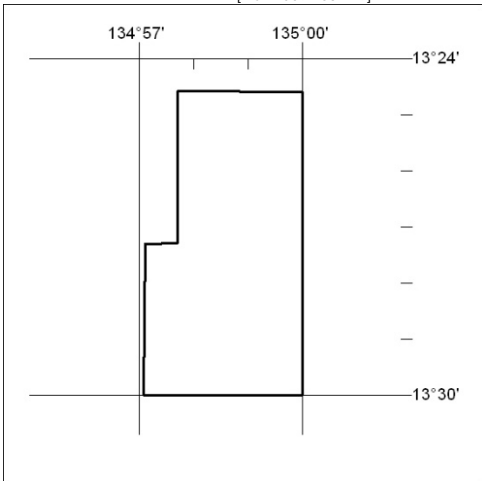


08/18

Mineral Titles Act

NOTICE OF LAND CEASING TO BE A MINERAL TITLE AREA

Title Type and Number: Exploration Licence 28066
 Area Ceased on: 29 December 2017
 Area: 21 Blocks, 46.99 sq kms
 Locality: ANNIE CREEK
 Name of Applicant(s)/Holder(s): 100% MERLIN DIAMONDS LIMITED* [ACN. 009 153 119]

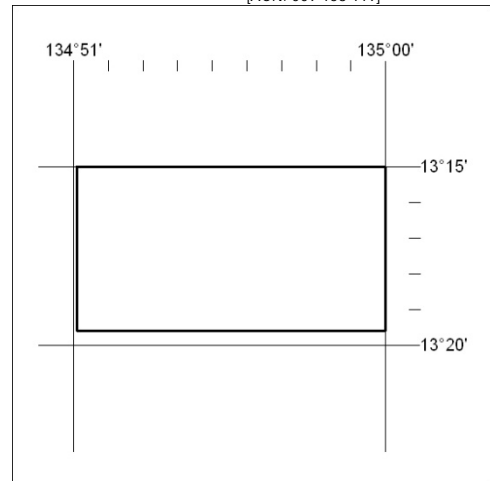


07/18

Mineral Titles Act

NOTICE OF LAND CEASING TO BE A MINERAL TITLE AREA

Title Type and Number: Exploration Licence 28068
 Area Ceased on: 29 December 2017
 Area: 45 Blocks, 136.70 sq kms
 Locality: ANNIE CREEK
 Name of Applicant(s)/Holder(s): 100% MERLIN DIAMONDS LIMITED* [ACN. 009 153 119]



09/18