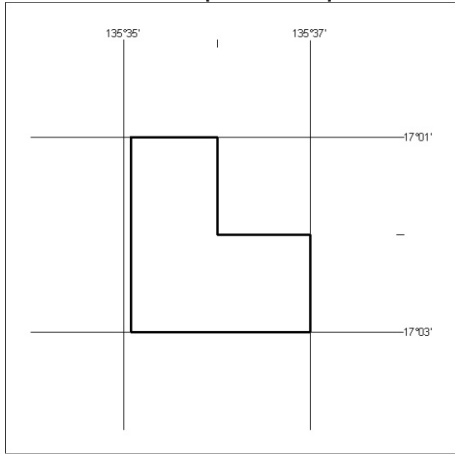


Mineral Titles Act

NOTICE OF LAND CEASING TO BE A MINERAL TITLE AREA

Title Type and Number: Exploration Licence 27342
 Area Ceased on: 16 May 2014
 Area: 3 Blocks, 9.34 sq kms
 Locality: KILGOUR
 Name of Holder/s: 100% LEGEND INTERNATIONAL HOLDINGS, INC. [ACN. 120 855 352]

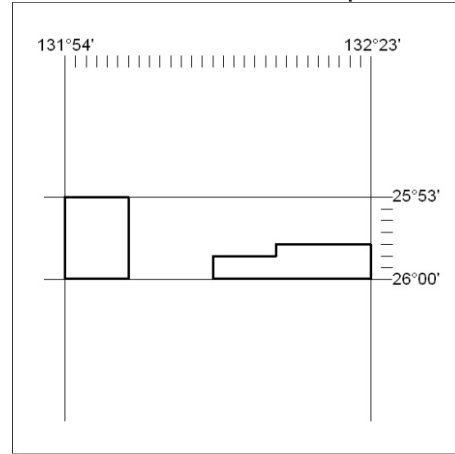


173/14

Mineral Titles Act

NOTICE OF LAND CEASING TO BE A MINERAL TITLE AREA

Title Type and Number: Exploration Licence 27418
 Area Ceased on: 16 May 2014
 Area: 81 Blocks, 244.51 sq kms
 Locality: SENTINEL BORE
 Name of Holder/s: 100% GLOBE MINERAL RESOURCES INVESTMENTS PTY LTD [ACN. 147 814 140]

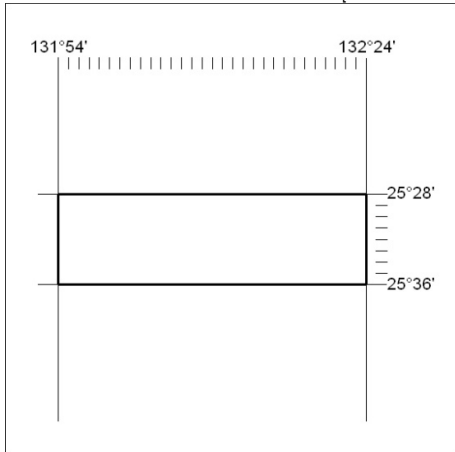


175/14

Mineral Titles Act

NOTICE OF LAND CEASING TO BE A MINERAL TITLE AREA

Title Type and Number: Exploration Licence 27417
 Area Ceased on: 16 May 2014
 Area: 240 Blocks, 743.78 sq kms
 Locality: SENTINEL BORE
 Name of Holder/s: 100% GLOBE MINERAL RESOURCES INVESTMENTS PTY LTD [ACN. 147 814 140]

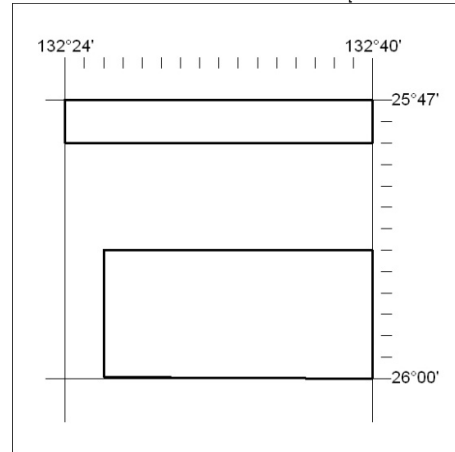


174/14

Mineral Titles Act

NOTICE OF LAND CEASING TO BE A MINERAL TITLE AREA

Title Type and Number: Exploration Licence 27419
 Area Ceased on: 16 May 2014
 Area: 116 Blocks, 356.80 sq kms
 Locality: VICTORY
 Name of Holder/s: 100% GLOBE MINERAL RESOURCES INVESTMENTS PTY LTD [ACN. 147 814 140]



176/14

Mineral Titles Act

NOTICE OF LAND CEASING TO BE A MINERAL TITLE AREA

Title Type and Number: Exploration Licence 29483
Area Ceased on: 17 May 2014
Area: 104 Blocks, 329.66 sq kms
Locality: REDVERS
Name of Holder/s: 100% ABM RESOURCES NL [ACN. 009 127 020]

