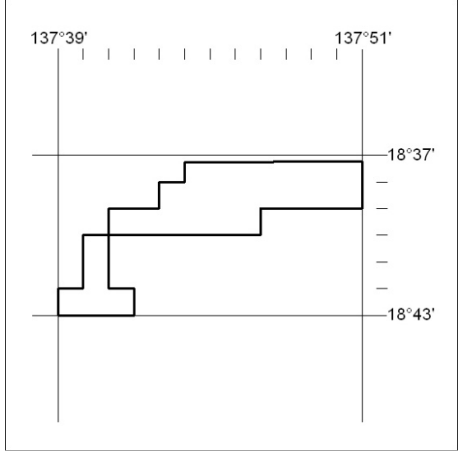


Mineral Titles Act

NOTICE OF LAND CEASING TO BE A MINERAL TITLE AREA

Title Type and Number: Exploration Licence 27652
 Area Ceased on: 27 May 2014
 Area: 26 Blocks, 78.91 sq kms
 Locality: CARRARA
 Name of Holder/s: 100% NATURAL RESOURCES
 EXPLORATION PTY LTD [ACN. 139 446 647]

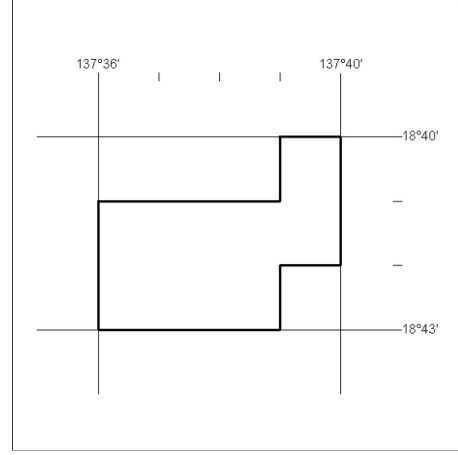


182/14

Mineral Titles Act

NOTICE OF LAND CEASING TO BE A MINERAL TITLE AREA

Title Type and Number: Exploration Licence 28399
 Area Ceased on: 27 May 2014
 Area: 8 Blocks, 26.03 sq kms
 Locality: CARRARA
 Name of Holder/s: 100% NATURAL RESOURCES
 EXPLORATION PTY LTD [ACN. 139 446 647]

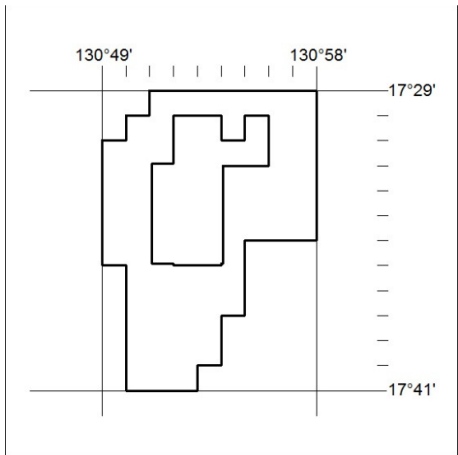


184/14

Mineral Titles Act

NOTICE OF LAND CEASING TO BE A MINERAL TITLE AREA

Title Type and Number: Exploration Licence 28125
 Area Ceased on: 26 May 2014
 Area: 63 Blocks, 193.20 sq kms
 Locality: WATSON
 Name of Holder/s: 100% HUANG Linna

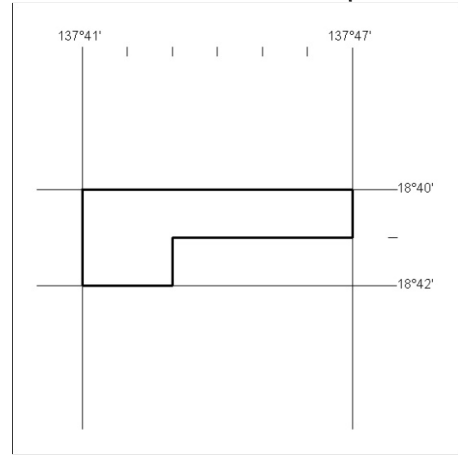


183/14

Mineral Titles Act

NOTICE OF LAND CEASING TO BE A MINERAL TITLE AREA

Title Type and Number: Exploration Licence 28400
 Area Ceased on: 27 May 2014
 Area: 8 Blocks, 26.02 sq kms
 Locality: CARRARA
 Name of Holder/s: 100% NATURAL RESOURCES
 EXPLORATION PTY LTD [ACN. 139 446 647]

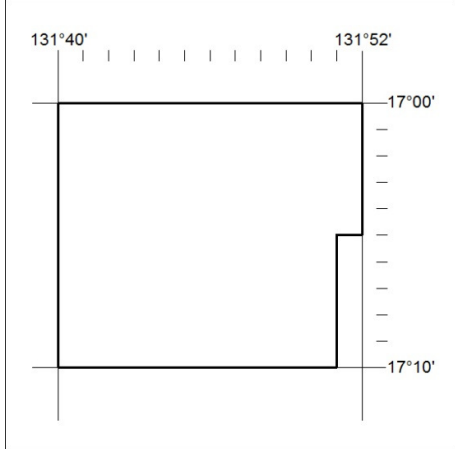


185/14

Mineral Titles Act

NOTICE OF LAND CEASING TO BE A MINERAL TITLE AREA

Title Type and Number: Exploration Licence 28754
 Area Ceased on: 29 May 2014
 Area: 115 Blocks, 377.55 sq kms
 Locality: BURGOYNE
 Name of Holder/s: 100% FISHER RESOURCES PTY LTD [ACN. 148 160 954]

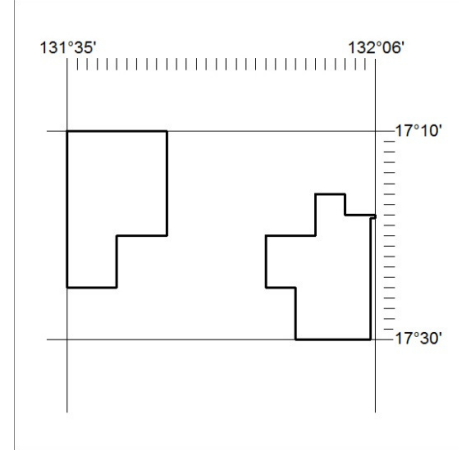


186/14

Mineral Titles Act

NOTICE OF LAND CEASING TO BE A MINERAL TITLE AREA

Title Type and Number: Exploration Licence 28756
 Area Ceased on: 29 May 2014
 Area: 238 Blocks, 763.06 sq kms
 Locality: BURGOYNE
 Name of Holder/s: 100% FISHER RESOURCES PTY LTD [ACN. 148 160 954]

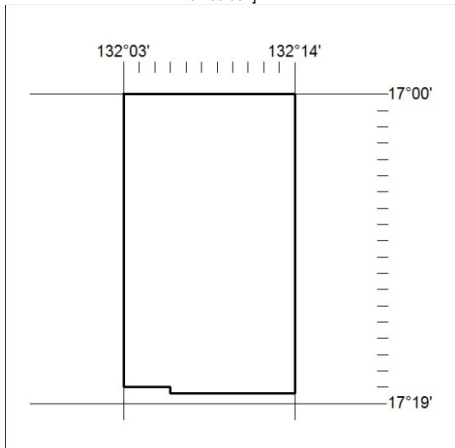


188/14

Mineral Titles Act

NOTICE OF LAND CEASING TO BE A MINERAL TITLE AREA

Title Type and Number: Exploration Licence 28755
 Area Ceased on: 29 May 2014
 Area: 206 Blocks, 659.67 sq kms
 Locality: GORDON
 Name of Holder/s: 100% FISHER RESOURCES PTY LTD [ACN. 148 160 954]

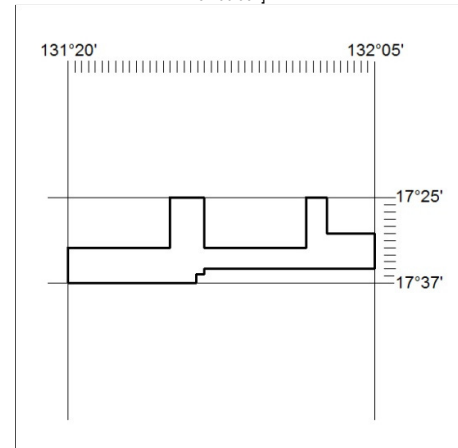


187/14

Mineral Titles Act

NOTICE OF LAND CEASING TO BE A MINERAL TITLE AREA

Title Type and Number: Exploration Licence 28757
 Area Ceased on: 29 May 2014
 Area: 244 Blocks, 797.52 sq kms
 Locality: CATTLE
 Name of Holder/s: 100% FISHER RESOURCES PTY LTD [ACN. 148 160 954]

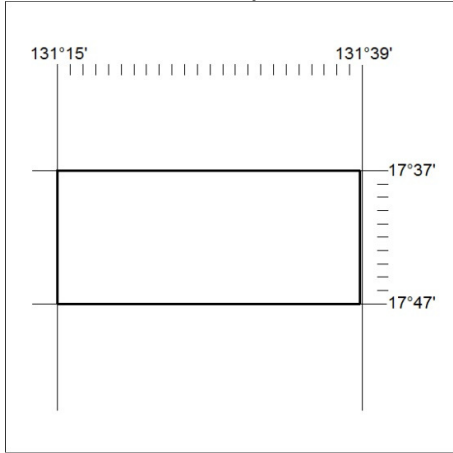


189/14

Mineral Titles Act

NOTICE OF LAND CEASING TO BE A MINERAL TITLE AREA

Title Type and Number: Exploration Licence 28758
 Area Ceased on: 29 May 2014
 Area: 240 Blocks, 778.24 sq kms
 Locality: JUNJAMINJI
 Name of Holder/s: 100% FISHER RESOURCES PTY LTD [ACN. 148 160 954]

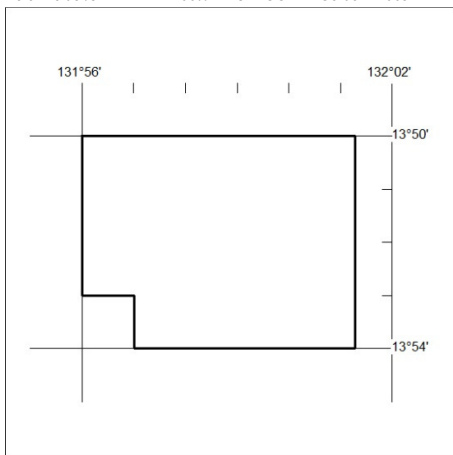


190/14

Mineral Titles Act

NOTICE OF LAND CEASING TO BE A MINERAL TITLE AREA

Title Type and Number: Exploration Licence 29069
 Area Ceased on: 28 May 2014
 Area: 23 Blocks, 67.13 sq kms
 Locality: PINE CREEK
 Name of Holder/s: 100% MACTAGGART Gordon Bruce



191/14