

MN31/17

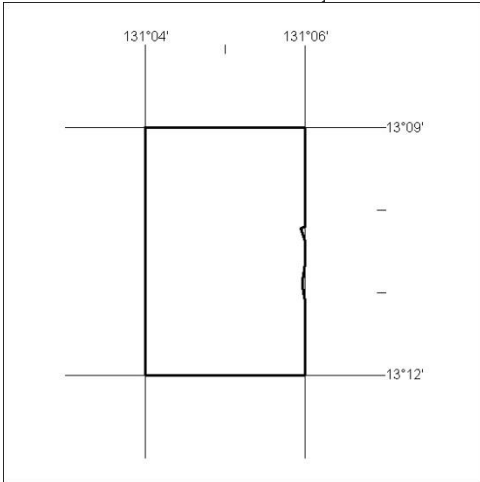
DARWIN

27 February 2017

Mineral Titles Act

NOTICE OF LAND CEASING TO BE A MINERAL TITLE AREA

Title Type and Number: Exploration Licence 31028
 Area Ceased on: 20 February 2017
 Area: 6 Blocks, 20.02 sq kms
 Locality: BATCHELOR
 Name of Applicant(s)/Holder(s): 100% N.T. GOLD PTY LTD * [ACN. 009 625 870]

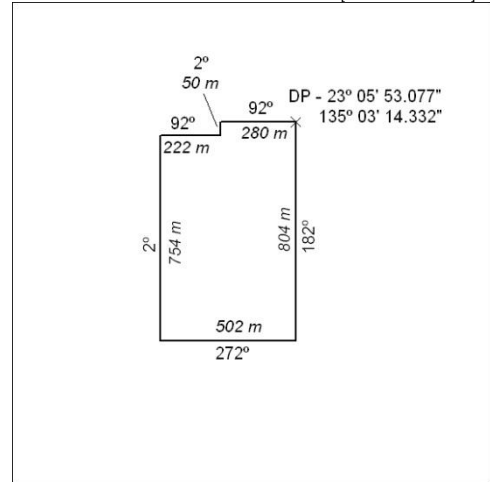


94/17

Mineral Titles Act

NOTICE OF LAND CEASING TO BE A MINERAL TITLE

Title Type and Number: Mineral Claim 24758
 Area ceased on: 20 February 2017
 Area: 39.00 Hectare
 Locality: QUARTZ
 Name of Applicants(s)/Holder(s): 100% BARFUSS CORPORATION PTY. LTD. [ACN. 006 917 666]

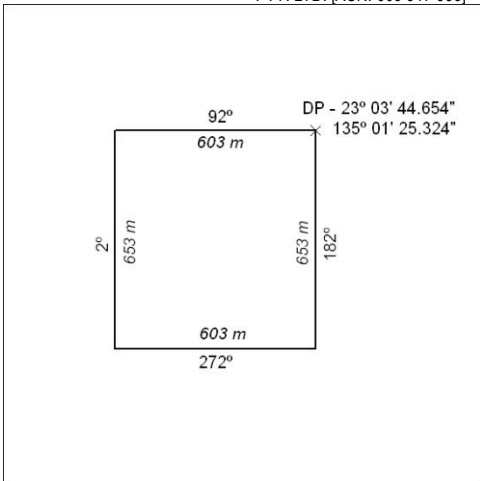


96/17

Mineral Titles Act

NOTICE OF LAND CEASING TO BE A MINERAL TITLE

Title Type and Number: Mineral Claim 24756
 Area ceased on: 20 February 2017
 Area: 39.00 Hectare
 Locality: QUARTZ
 Name of Applicants(s)/Holder(s): 100% BARFUSS CORPORATION PTY. LTD. [ACN. 006 917 666]

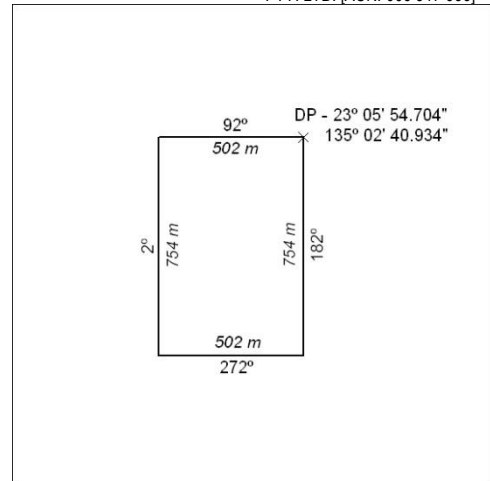


95/17

Mineral Titles Act

NOTICE OF LAND CEASING TO BE A MINERAL TITLE

Title Type and Number: Mineral Claim 24759
 Area ceased on: 20 February 2017
 Area: 38.00 Hectare
 Locality: QUARTZ
 Name of Applicants(s)/Holder(s): 100% BARFUSS CORPORATION PTY. LTD. [ACN. 006 917 666]



96/17

MN31/17

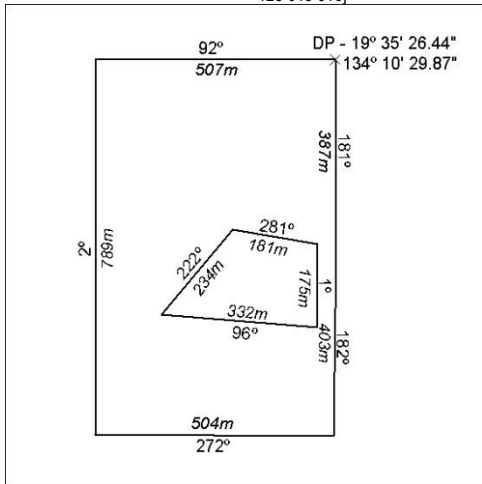
DARWIN

27 February 2017

Mineral Titles Act

NOTICE OF LAND CEASING TO BE A MINERAL TITLE

Title Type and Number: Mineral Claim (Central) 1089
 Area ceased on: 24 February 2017
 Area: 35.00 Hectare
 Locality: TENNANT CREEK
 Name of Applicant(s)/Holder(s): 100% WDR GOLD PTY LTD [ACN. 125 045 016]

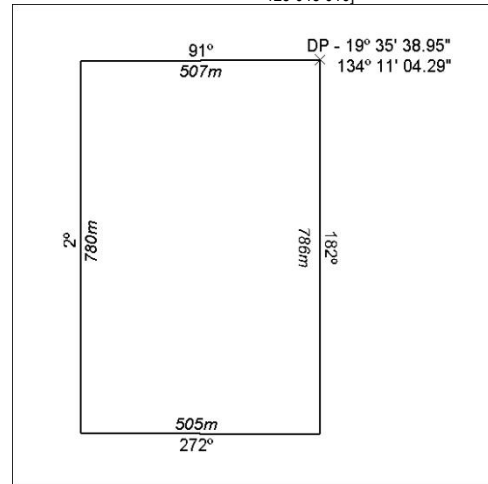


97/17

Mineral Titles Act

NOTICE OF LAND CEASING TO BE A MINERAL TITLE

Title Type and Number: Mineral Claim (Central) 1091
 Area ceased on: 24 February 2017
 Area: 39.00 Hectare
 Locality: TENNANT CREEK
 Name of Applicant(s)/Holder(s): 100% WDR GOLD PTY LTD [ACN. 125 045 016]

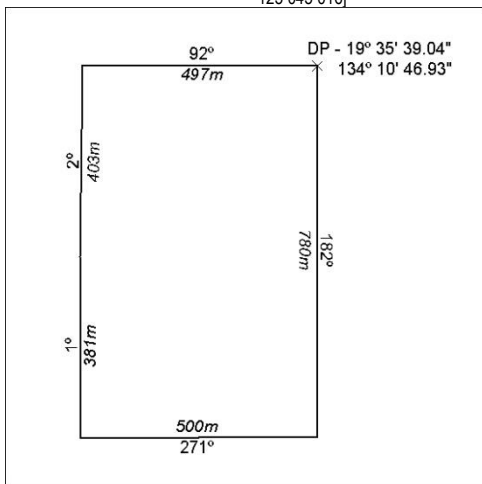


99/17

Mineral Titles Act

NOTICE OF LAND CEASING TO BE A MINERAL TITLE

Title Type and Number: Mineral Claim (Central) 1090
 Area ceased on: 24 February 2017
 Area: 39.00 Hectare
 Locality: TENNANT CREEK
 Name of Applicant(s)/Holder(s): 100% WDR GOLD PTY LTD [ACN. 125 045 016]

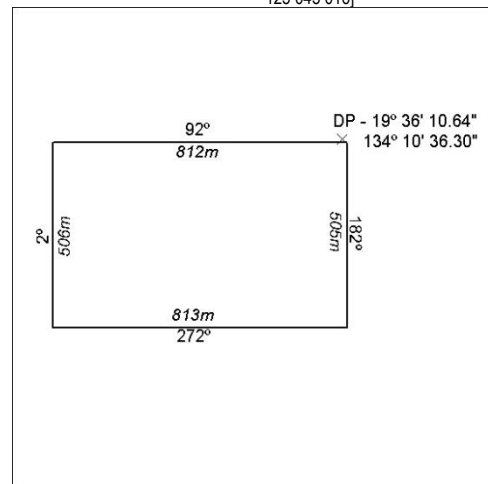


98/17

Mineral Titles Act

NOTICE OF LAND CEASING TO BE A MINERAL TITLE

Title Type and Number: Mineral Claim (Central) 1092
 Area ceased on: 24 February 2017
 Area: 41.00 Hectare
 Locality: TENNANT CREEK
 Name of Applicant(s)/Holder(s): 100% WDR GOLD PTY LTD [ACN. 125 045 016]



100/17

MN31/17

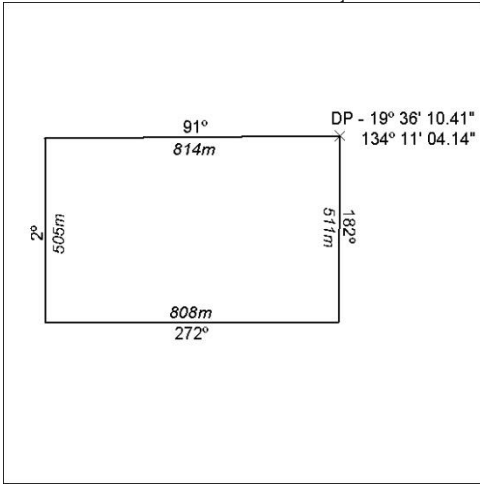
DARWIN

27 February 2017

Mineral Titles Act

NOTICE OF LAND CEASING TO BE A MINERAL TITLE

Title Type and Number: Mineral Claim (Central) 1093
 Area ceased on: 24 February 2017
 Area: 41.00 Hectare
 Locality: TENNANT CREEK
 Name of Applicant(s)Holder(s): 100% WDR GOLD PTY LTD [ACN. 125 045 016]

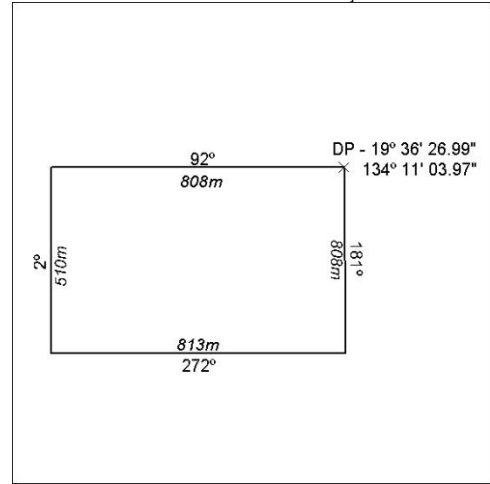


101/17

Mineral Titles Act

NOTICE OF LAND CEASING TO BE A MINERAL TITLE

Title Type and Number: Mineral Claim (Central) 1095
 Area ceased on: 24 February 2017
 Area: 41.00 Hectare
 Locality: TENNANT CREEK
 Name of Applicant(s)Holder(s): 100% WDR GOLD PTY LTD [ACN. 125 045 016]

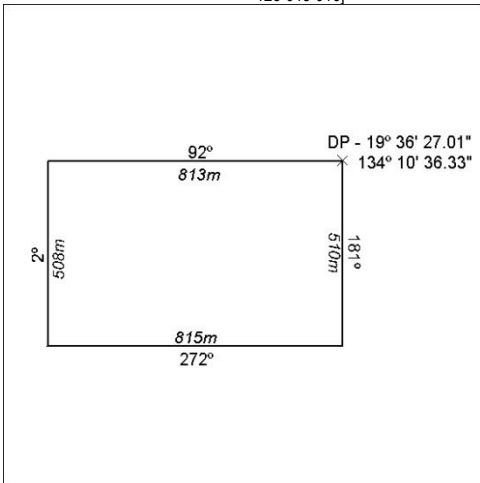


103/17

Mineral Titles Act

NOTICE OF LAND CEASING TO BE A MINERAL TITLE

Title Type and Number: Mineral Claim (Central) 1094
 Area ceased on: 24 February 2017
 Area: 41.00 Hectare
 Locality: TENNANT CREEK
 Name of Applicant(s)Holder(s): 100% WDR GOLD PTY LTD [ACN. 125 045 016]

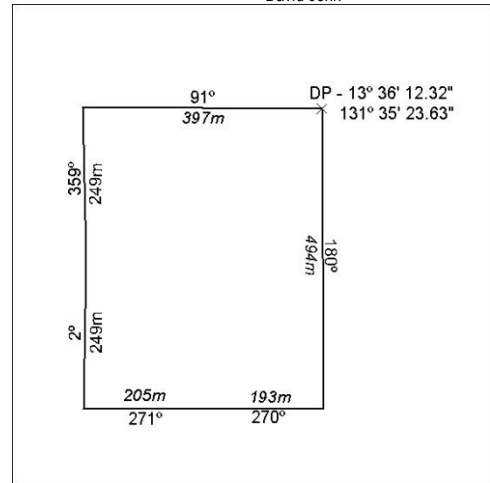


102/17

Mineral Titles Act

NOTICE OF LAND CEASING TO BE A MINERAL TITLE

Title Type and Number: Mineral Lease 30125
 Area ceased on: 27 February 2017
 Area: 20.00 Hectare
 Locality: PINE CREEK
 Name of Applicant(s)Holder(s): 50% DAVIS Sean, 50% LANGLEY David John



104/17

MN31/17

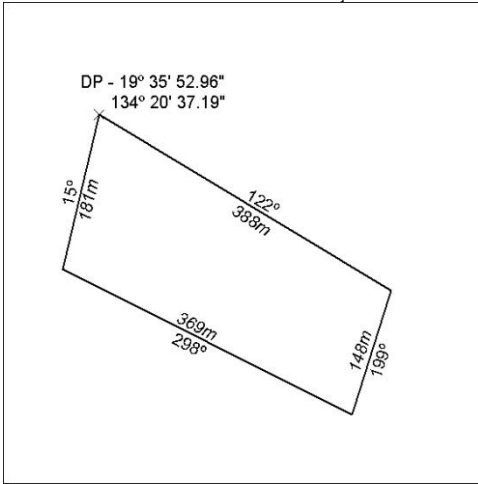
DARWIN

27 February 2017

Mineral Titles Act

NOTICE OF LAND CEASING TO BE A MINERAL TITLE

Title Type and Number: Mineral Lease (Central) 624
 Area ceased on: 24 February 2017
 Area: 6.00 Hectare
 Locality: TENNANT CREEK
 Name of Applicant(s)/Holder(s): 100% WDR GOLD PTY LTD [ACN. 125 045 016]

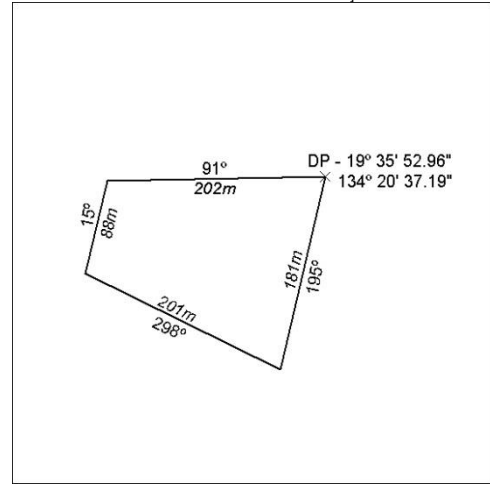


105/17

Mineral Titles Act

NOTICE OF LAND CEASING TO BE A MINERAL TITLE

Title Type and Number: Mineral Lease (Central) 632
 Area ceased on: 24 February 2017
 Area: 3.00 Hectare
 Locality: TENNANT CREEK
 Name of Applicant(s)/Holder(s): 100% WDR GOLD PTY LTD [ACN. 125 045 016]

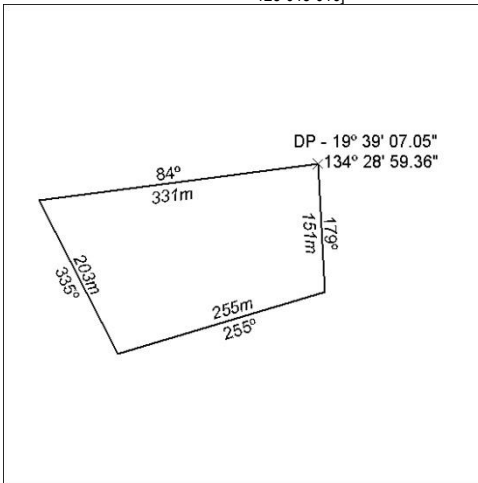


107/17

Mineral Titles Act

NOTICE OF LAND CEASING TO BE A MINERAL TITLE

Title Type and Number: Mineral Lease (Central) 625
 Area ceased on: 24 February 2017
 Area: 5.00 Hectare
 Locality: TENNANT CREEK
 Name of Applicant(s)/Holder(s): 100% WDR GOLD PTY LTD [ACN. 125 045 016]



106/17