

MN144/17

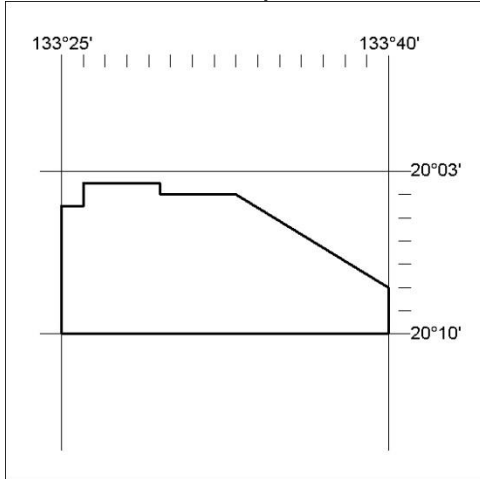
DARWIN

30 October 2017

Mineral Titles Act

NOTICE OF LAND CEASING TO BE A MINERAL TITLE AREA

Title Type and Number: Exploration Licence 26537
 Area Ceased on: 27 October 2017
 Area: 85 Blocks, 249.19 sq kms
 Locality: CHALUBA
 Name of Applicant(s)/Holder(s): 100% ANGLGOLD ASHANTI AUSTRALIA LIMITED [ACN. 008 737 424]

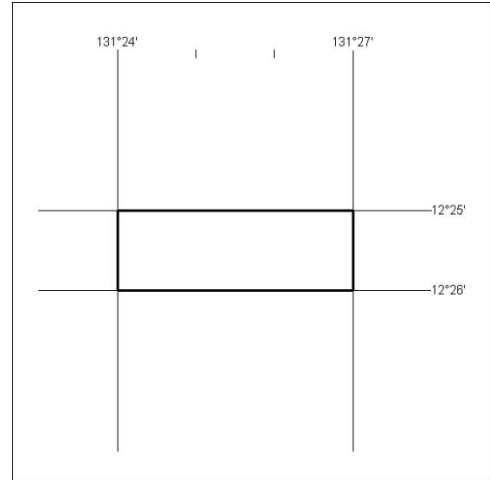


510/17

Mineral Titles Act

NOTICE OF LAND CEASING TO BE A MINERAL TITLE AREA

Title Type and Number: Extractive Mineral Exploration Licence 31715
 Area Ceased on: 30 October 2017
 Area: 3 Blocks, 10.06 sq kms
 Locality: KOOLPINYAH
 Name of Applicant(s)/Holder(s): 100% BENDER John William

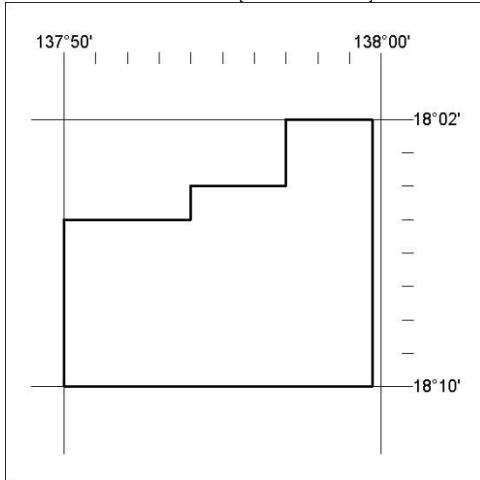


512/17

Mineral Titles Act

NOTICE OF LAND CEASING TO BE A MINERAL TITLE AREA

Title Type and Number: Exploration Licence 31544
 Area Ceased on: 30 October 2017
 Area: 62 Blocks, 195.27 sq kms
 Locality: CLEANSKIN
 Name of Applicant(s)/Holder(s): 100% RIPPLE RESOURCES PTY LTD [ACN. 127 220 768]



511/17