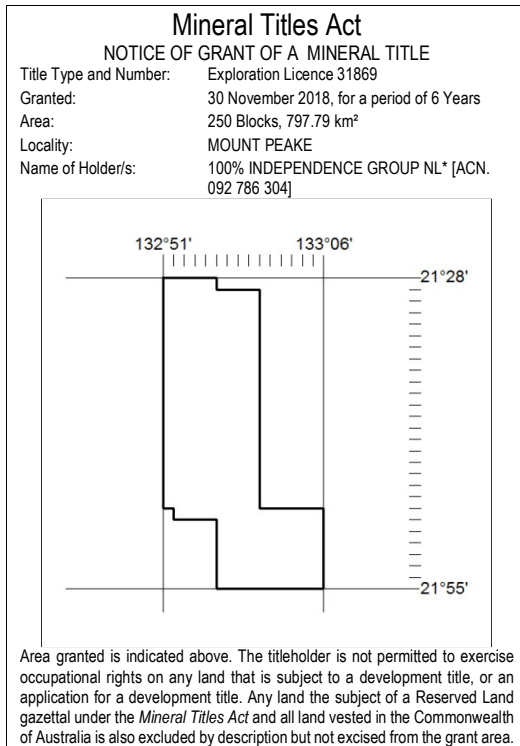


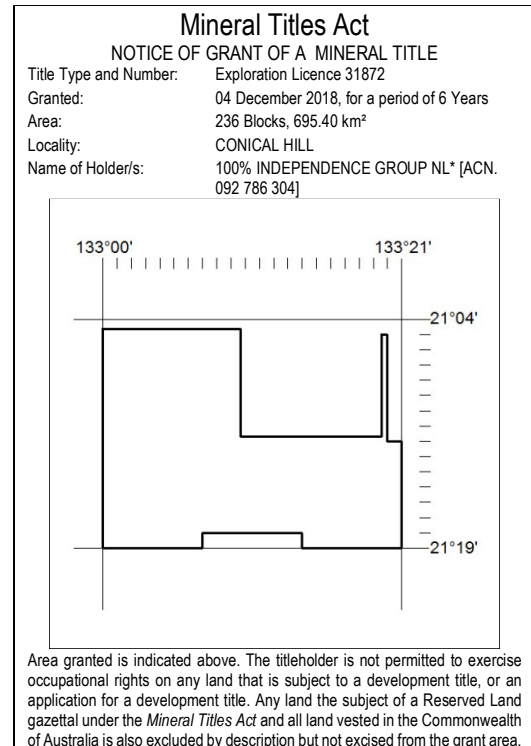
MN159/18

DARWIN

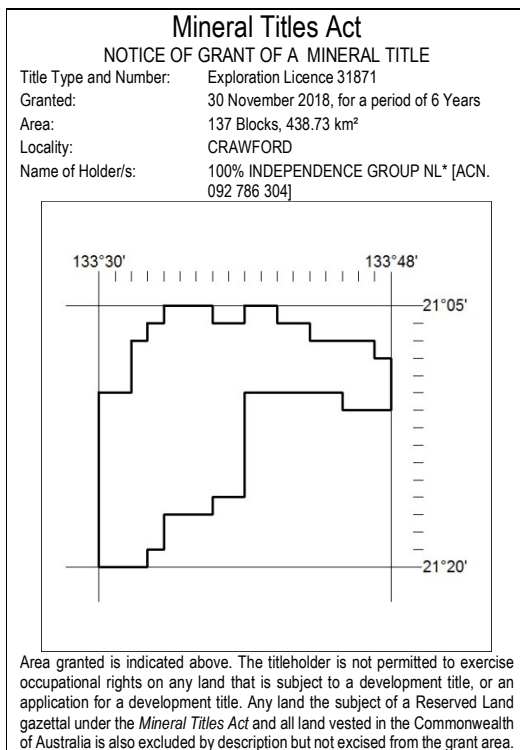
4 December 2018



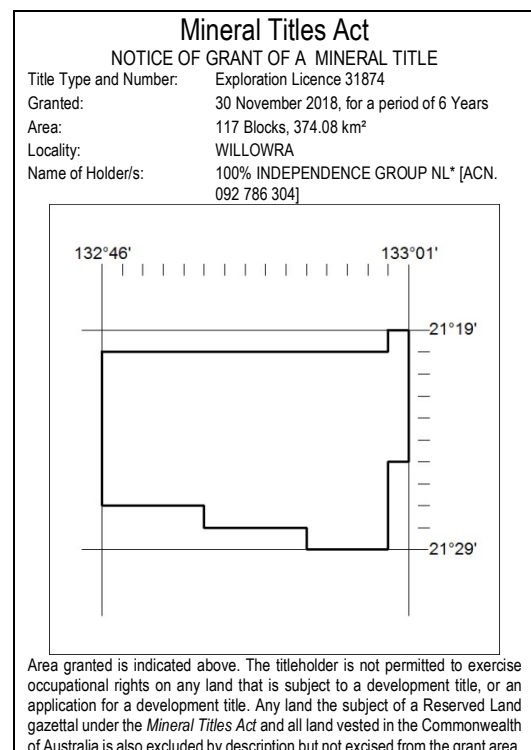
554/18



556/18



555/18



557/18

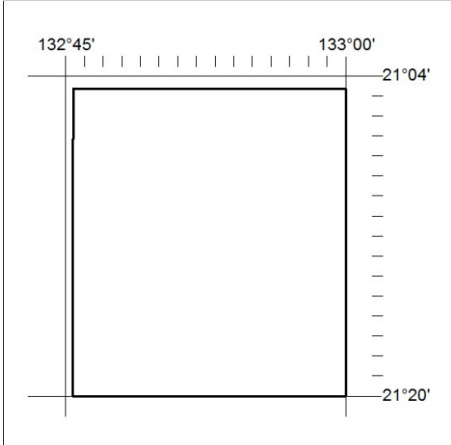
MN159/18

DARWIN

4 December 2018

Mineral Titles Act
NOTICE OF GRANT OF A MINERAL TITLE

Title Type and Number: Exploration Licence 31889
 Granted: 30 November 2018, for a period of 6 Years
 Area: 240 Blocks, 719.13 km²
 Locality: WILLOWRA
 Name of Holder/s: 100% INDEPENDENCE GROUP NL* [ACN. 092 786 304]



Area granted is indicated above. The titleholder is not permitted to exercise occupational rights on any land that is subject to a development title, or an application for a development title. Any land the subject of a Reserved Land gazettal under the *Mineral Titles Act* and all land vested in the Commonwealth of Australia is also excluded by description but not excised from the grant area.

558/18