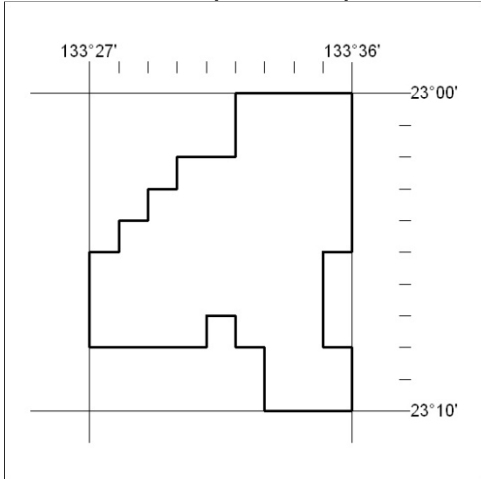


Mineral Titles Act

NOTICE OF LAND CEASING TO BE A MINERAL TITLE AREA

Title Type and Number: Exploration Licence 29554
 Area Ceased on: 20 February 2015
 Area: 58 Blocks, 183.26 sq kms
 Locality: BURT
 Name of Holder/s: 100% WUHUA MINING CORPORATION PTY LTD [ACN. 158 636 714]

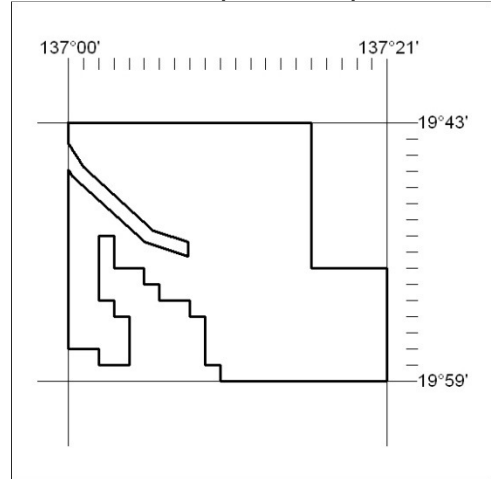


54/15

Mineral Titles Act

NOTICE OF LAND CEASING TO BE A MINERAL TITLE AREA

Title Type and Number: Exploration Licence 29576
 Area Ceased on: 20 February 2015
 Area: 250 Blocks, 778.90 sq kms
 Locality: LIGNUM
 Name of Holder/s: 100% WUHUA MINING CORPORATION PTY LTD [ACN. 158 636 714]

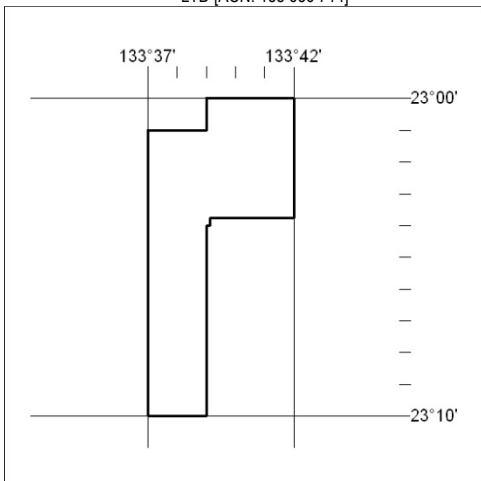


56/15

Mineral Titles Act

NOTICE OF LAND CEASING TO BE A MINERAL TITLE AREA

Title Type and Number: Exploration Licence 29555
 Area Ceased on: 20 February 2015
 Area: 30 Blocks, 92.61 sq kms
 Locality: BURT
 Name of Holder/s: 100% WUHUA MINING CORPORATION PTY LTD [ACN. 158 636 714]

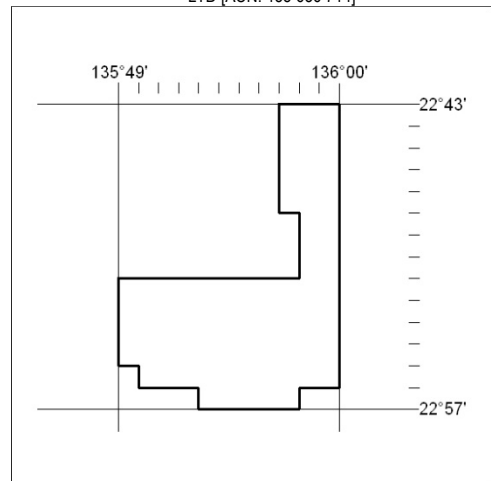


55/15

Mineral Titles Act

NOTICE OF LAND CEASING TO BE A MINERAL TITLE AREA

Title Type and Number: Exploration Licence 29588
 Area Ceased on: 20 February 2015
 Area: 80 Blocks, 253.14 sq kms
 Locality: JINKA
 Name of Holder/s: 100% WUHUA MINING CORPORATION PTY LTD [ACN. 158 636 714]



57/15

Mineral Titles Act

NOTICE OF LAND CEASING TO BE A MINERAL TITLE AREA

Title Type and Number: Exploration Licence 30585
Area Ceased on: 20 February 2015
Area: 179 Blocks, 552.08 sq kms
Locality: ADAM
Name of Holder/s: 100% CENTRAL AUSTRALIAN PHOSPHATE
PTY LTD* [ACN. 120 787 859]

