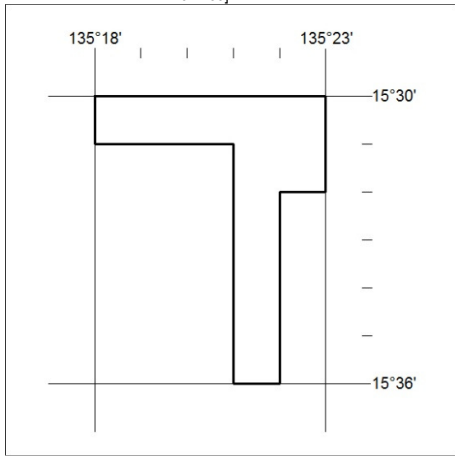


Mineral Titles Act

NOTICE OF LAND CEASING TO BE A MINERAL TITLE AREA

Title Type and Number: Exploration Licence 26953
 Area Ceased on: 27 June 2014
 Area: 11 Blocks, 36.40 sq kms
 Locality: MANTUNGULA
 Name of Holder/s: 100% SANDFIRE RESOURCES NL [ACN. 105 154 185]

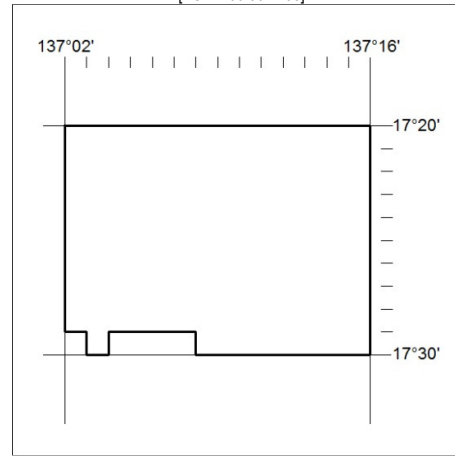


232/14

Mineral Titles Act

NOTICE OF LAND CEASING TO BE A MINERAL TITLE AREA

Title Type and Number: Exploration Licence 26999
 Area Ceased on: 27 June 2014
 Area: 135 Blocks, 442.23 sq kms
 Locality: CALVERT HILLS
 Name of Holder/s: 100% REDBANK OPERATIONS PTY LTD* [ACN. 109 362 165]

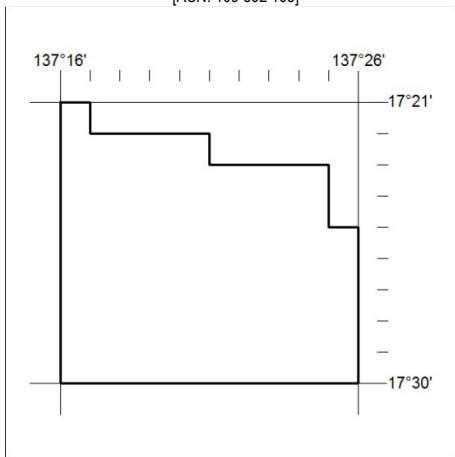


234/14

Mineral Titles Act

NOTICE OF LAND CEASING TO BE A MINERAL TITLE AREA

Title Type and Number: Exploration Licence 26965
 Area Ceased on: 27 June 2014
 Area: 74 Blocks, 242.37 sq kms
 Locality: CALVERT HILLS
 Name of Holder/s: 100% REDBANK OPERATIONS PTY LTD* [ACN. 109 362 165]

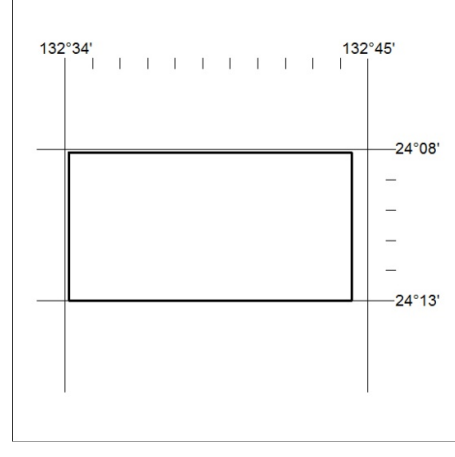


233/14

Mineral Titles Act

NOTICE OF LAND CEASING TO BE A MINERAL TITLE AREA

Title Type and Number: Exploration Licence 27799
 Area Ceased on: 27 June 2014
 Area: 55 Blocks, 157.32 sq kms
 Locality: PALM VALLEY
 Name of Holder/s: 100% USI NT PTY LTD [ACN. 152 441 668]



235/14

MN61/14

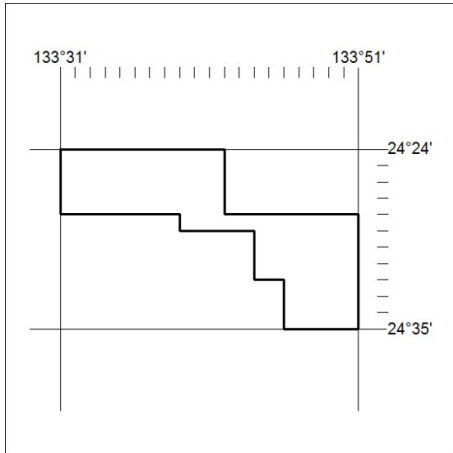
DARWIN

27 June 2014

Mineral Titles Act

NOTICE OF LAND CEASING TO BE A MINERAL TITLE AREA

Title Type and Number: Exploration Licence 28973
 Area Ceased on: 27 June 2014
 Area: 92 Blocks, 287.53 sq kms
 Locality: PEACHY
 Name of Holder/s: 100% USI NT PTY LTD [ACN. 152 441 668]

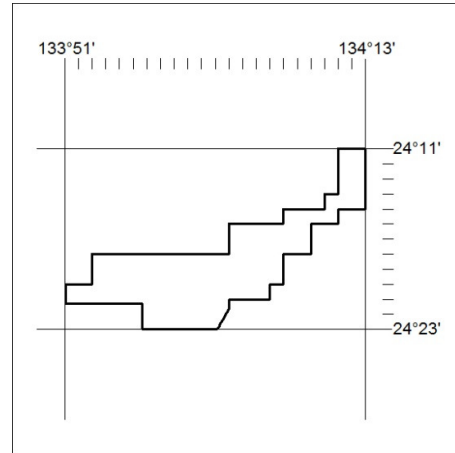


236/14

Mineral Titles Act

NOTICE OF LAND CEASING TO BE A MINERAL TITLE AREA

Title Type and Number: Exploration Licence 29468
 Area Ceased on: 27 June 2014
 Area: 87 Blocks, 255.19 sq kms
 Locality: SANTA TERESA
 Name of Holder/s: 100% USI NT PTY LTD [ACN. 152 441 668]

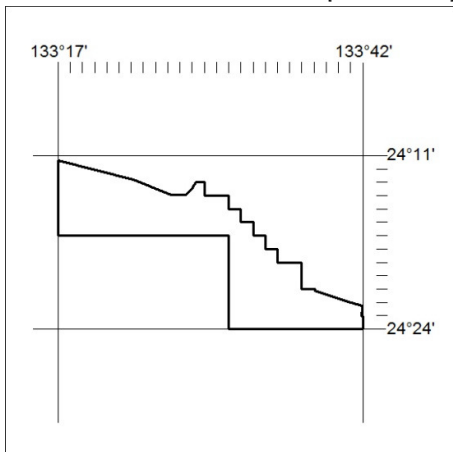


238/14

Mineral Titles Act

NOTICE OF LAND CEASING TO BE A MINERAL TITLE AREA

Title Type and Number: Exploration Licence 28974
 Area Ceased on: 27 June 2014
 Area: 118 Blocks, 341.17 sq kms
 Locality: PEACHY
 Name of Holder/s: 100% USI NT PTY LTD [ACN. 152 441 668]



237/14