

**Mineral Titles Act**

**NOTICE OF LAND CEASING TO BE A MINERAL TITLE AREA**

Title Type and Number: Extractive Mineral Exploration Licence 30185

Area Ceased on: 21 September 2016

Area: 1 Block, .85 sq kms

Locality: KOOLPINYAH

Name of Applicant(s)/Holder(s): 100% SAVEGUARD PTY LTD [ACN. 065 514 203]

630/16

**Mineral Titles Act**

**NOTICE OF LAND CEASING TO BE A MINERAL TITLE AREA**

Title Type and Number: Extractive Mineral Exploration Licence 30187

Area Ceased on: 21 September 2016

Area: 2 Blocks, .39 sq kms

Locality: KOOLPINYAH

Name of Applicant(s)/Holder(s): 100% SAVEGUARD PTY LTD [ACN. 065 514 203]

632/16

**Mineral Titles Act**

**NOTICE OF LAND CEASING TO BE A MINERAL TITLE AREA**

Title Type and Number: Extractive Mineral Exploration Licence 30186

Area Ceased on: 21 September 2016

Area: 4 Blocks, 1.53 sq kms

Locality: KOOLPINYAH

Name of Applicant(s)/Holder(s): 100% SAVEGUARD PTY LTD [ACN. 065 514 203]

631/16

**Mineral Titles Act**

**NOTICE OF LAND CEASING TO BE A MINERAL TITLE AREA**

Title Type and Number: Exploration Licence 26881

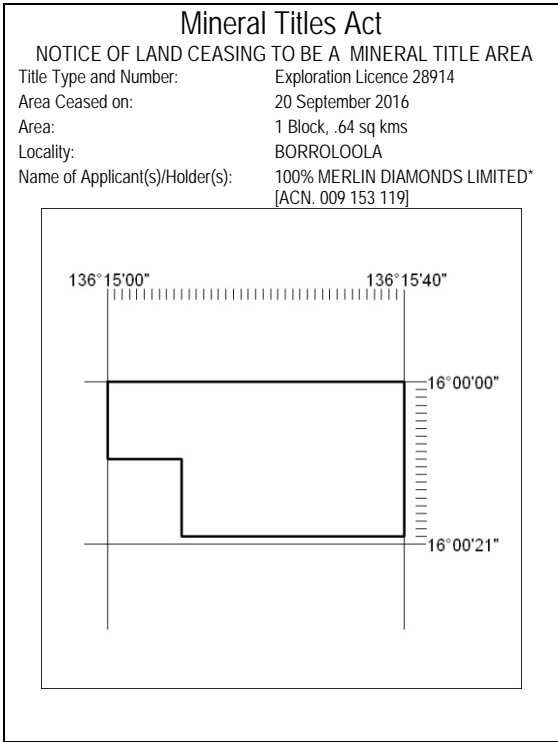
Area Ceased on: 20 September 2016

Area: 68 Blocks, 228.57 sq kms

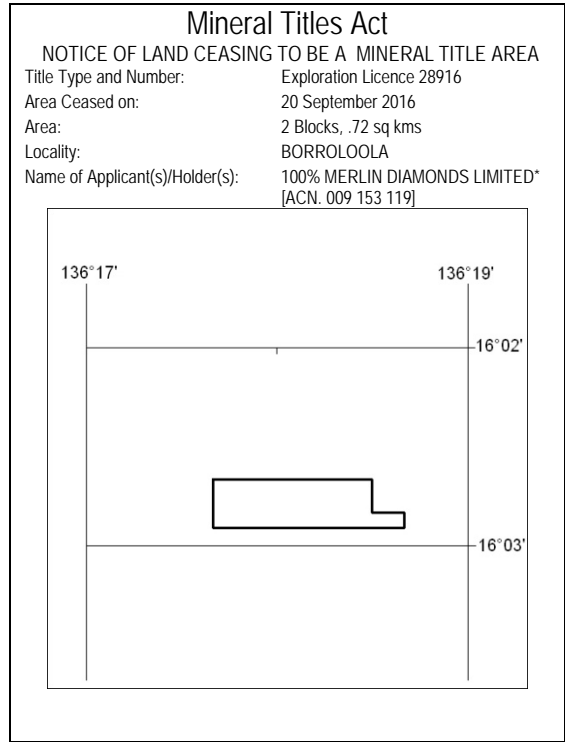
Locality: WELLINGTON RANGE

Name of Applicant(s)/Holder(s): 100% BUREY RESOURCES PTY LTD [ACN. 127 297 803]

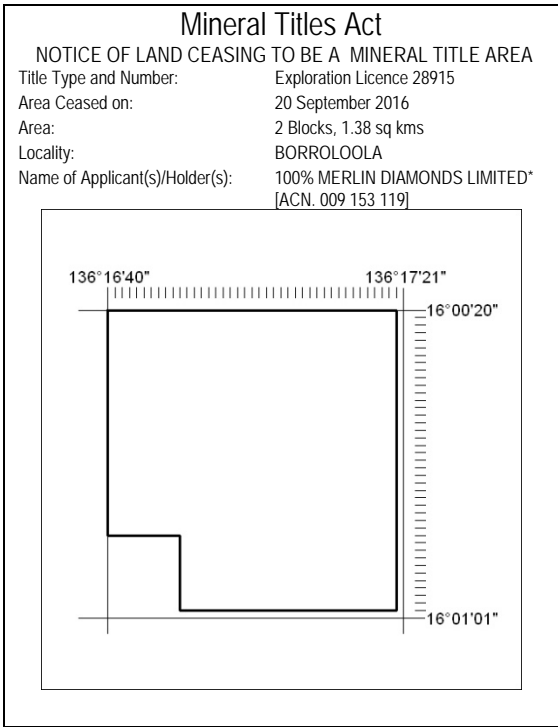
633/16



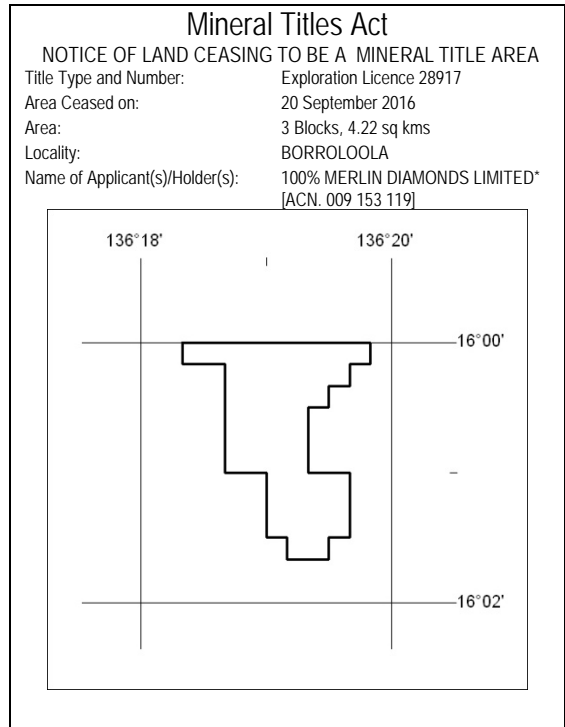
634/16



636/16



635/16

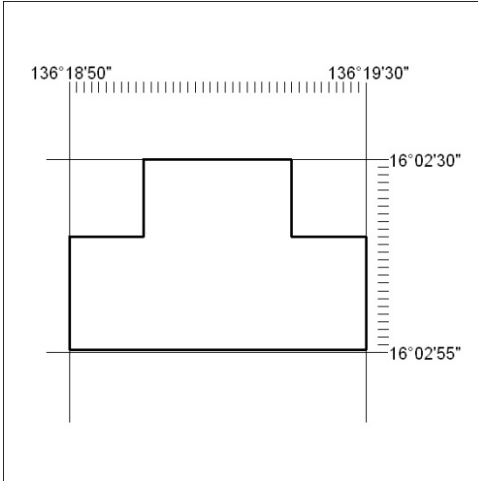


637/16

Mineral Titles Act

NOTICE OF LAND CEASING TO BE A MINERAL TITLE AREA

Title Type and Number: Exploration Licence 28918  
Area Ceased on: 20 September 2016  
Area: 2 Blocks, .72 sq kms  
Locality: BORROLOOLA  
Name of Applicant(s)/Holder(s): 100% MERLIN DIAMONDS LIMITED\*  
[ACN. 009 153 119]

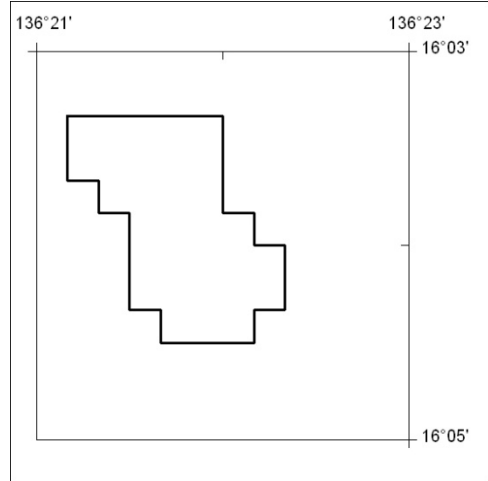


638/16

Mineral Titles Act

NOTICE OF LAND CEASING TO BE A MINERAL TITLE AREA

Title Type and Number: Exploration Licence 28920  
Area Ceased on: 20 September 2016  
Area: 4 Blocks, 2.84 sq kms  
Locality: BORROLOOLA  
Name of Applicant(s)/Holder(s): 100% MERLIN DIAMONDS LIMITED\*  
[ACN. 009 153 119]

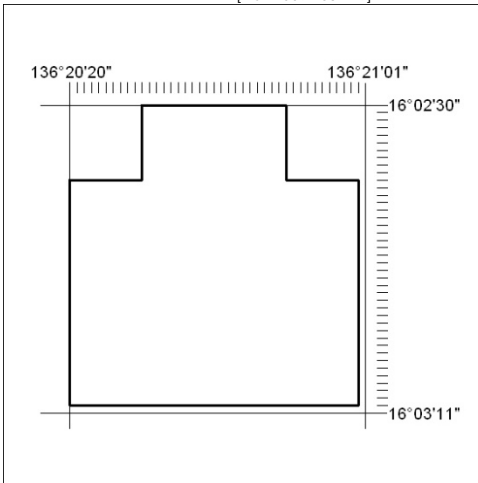


640/16

Mineral Titles Act

NOTICE OF LAND CEASING TO BE A MINERAL TITLE AREA

Title Type and Number: Exploration Licence 28919  
Area Ceased on: 20 September 2016  
Area: 2 Blocks, 1.28 sq kms  
Locality: BORROLOOLA  
Name of Applicant(s)/Holder(s): 100% MERLIN DIAMONDS LIMITED\*  
[ACN. 009 153 119]

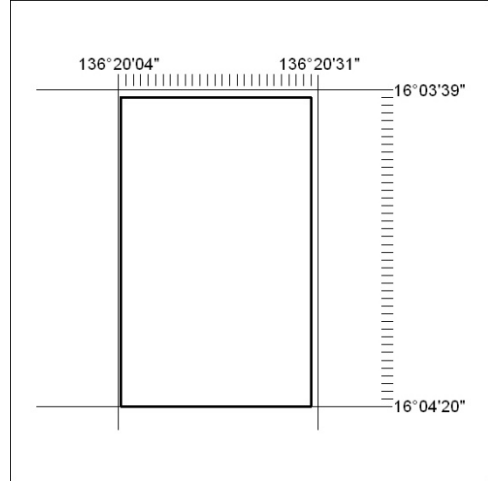


639/16

Mineral Titles Act

NOTICE OF LAND CEASING TO BE A MINERAL TITLE AREA

Title Type and Number: Exploration Licence 28921  
Area Ceased on: 20 September 2016  
Area: 2 Blocks, .94 sq kms  
Locality: BORROLOOLA  
Name of Applicant(s)/Holder(s): 100% MERLIN DIAMONDS LIMITED\*  
[ACN. 009 153 119]

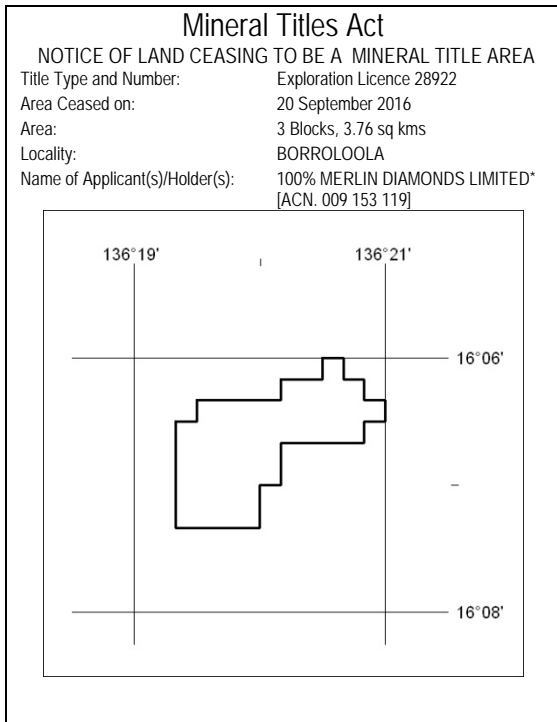


641/16

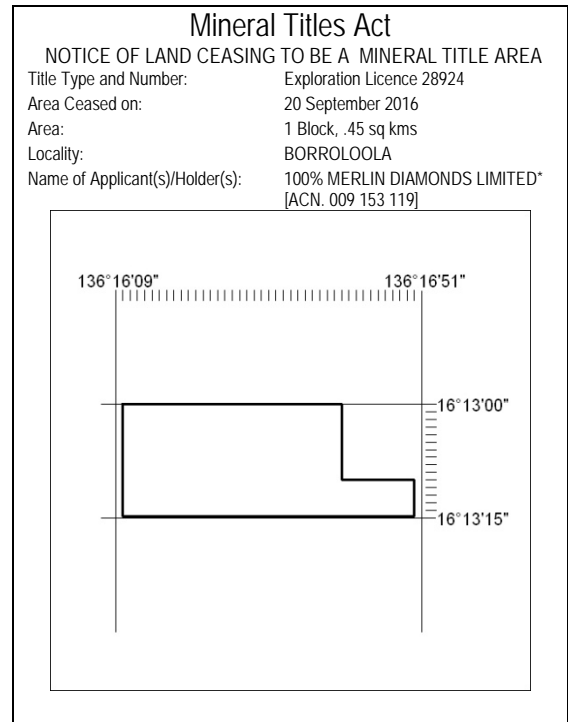
**MN139/16**

**DARWIN**

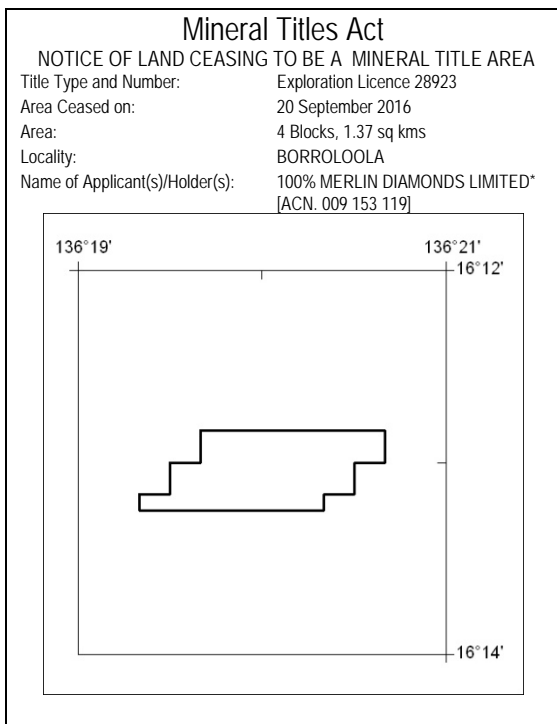
**21 September 2016**



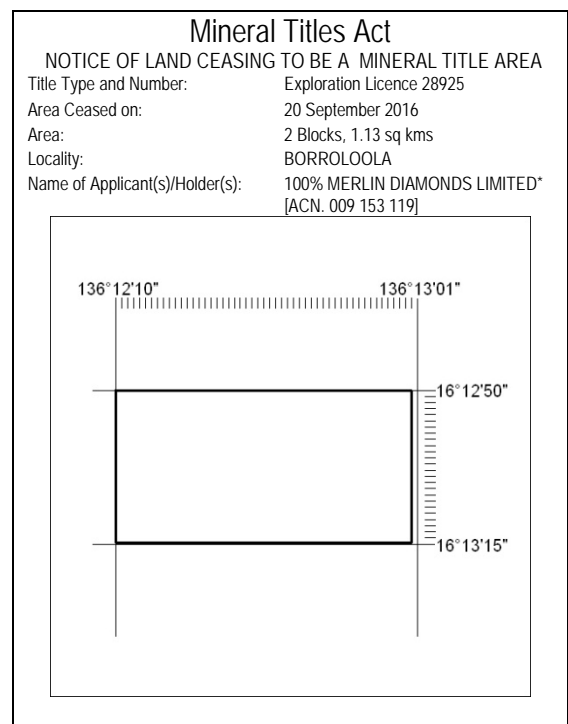
642/16



644/16



643/16

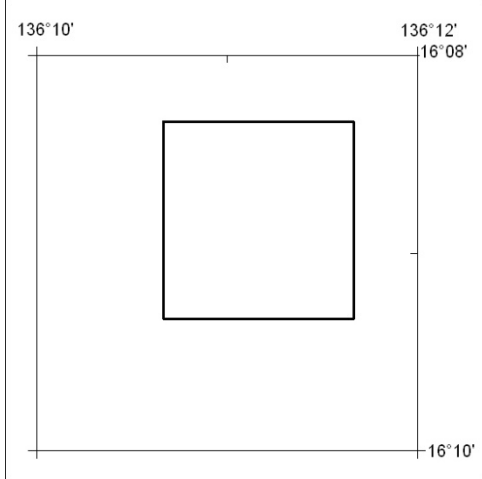


645/16

**Mineral Titles Act**

NOTICE OF LAND CEASING TO BE A MINERAL TITLE AREA

Title Type and Number: Exploration Licence 28926  
 Area Ceased on: 20 September 2016  
 Area: 4 Blocks, 3.30 sq kms  
 Locality: BORROLOOLA  
 Name of Applicant(s)/Holder(s): 100% MERLIN DIAMONDS LIMITED\*  
 [ACN. 009 153 119]

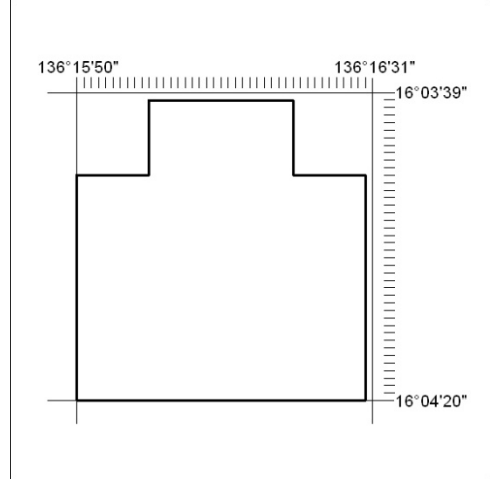


646/16

**Mineral Titles Act**

NOTICE OF LAND CEASING TO BE A MINERAL TITLE AREA

Title Type and Number: Exploration Licence 28928  
 Area Ceased on: 20 September 2016  
 Area: 4 Blocks, 1.28 sq kms  
 Locality: BORROLOOLA  
 Name of Applicant(s)/Holder(s): 100% MERLIN DIAMONDS LIMITED\*  
 [ACN. 009 153 119]

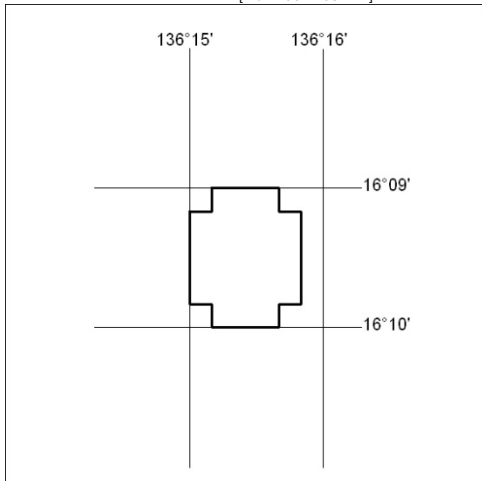


648/16

**Mineral Titles Act**

NOTICE OF LAND CEASING TO BE A MINERAL TITLE AREA

Title Type and Number: Exploration Licence 28927  
 Area Ceased on: 20 September 2016  
 Area: 1 Block, 2.38 sq kms  
 Locality: BORROLOOLA  
 Name of Applicant(s)/Holder(s): 100% MERLIN DIAMONDS LIMITED\*  
 [ACN. 009 153 119]

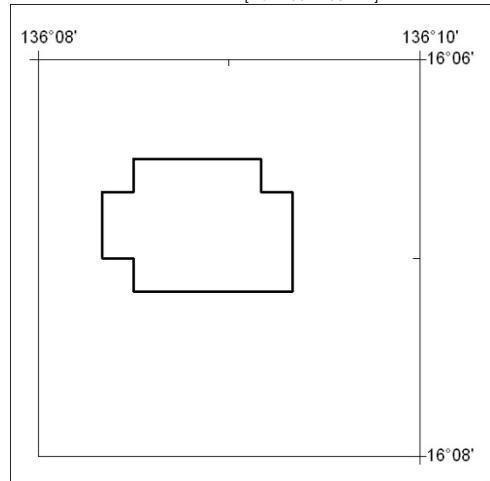


647/16

**Mineral Titles Act**

NOTICE OF LAND CEASING TO BE A MINERAL TITLE AREA

Title Type and Number: Exploration Licence 28929  
 Area Ceased on: 20 September 2016  
 Area: 4 Blocks, 1.92 sq kms  
 Locality: BORROLOOLA  
 Name of Applicant(s)/Holder(s): 100% MERLIN DIAMONDS LIMITED\*  
 [ACN. 009 153 119]

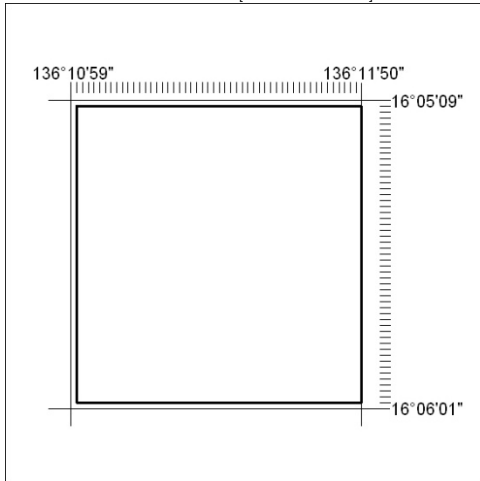


649/16

Mineral Titles Act

NOTICE OF LAND CEASING TO BE A MINERAL TITLE AREA

Title Type and Number: Exploration Licence 28930  
 Area Ceased on: 20 September 2016  
 Area: 1 Block, 2.29 sq kms  
 Locality: BORROLOOLA  
 Name of Applicant(s)/Holder(s): 100% MERLIN DIAMONDS LIMITED\*  
 [ACN. 009 153 119]

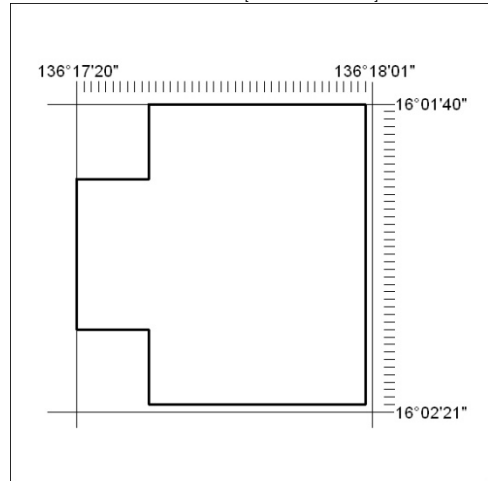


650/16

Mineral Titles Act

NOTICE OF LAND CEASING TO BE A MINERAL TITLE AREA

Title Type and Number: Exploration Licence 28932  
 Area Ceased on: 20 September 2016  
 Area: 2 Blocks, 1.28 sq kms  
 Locality: BORROLOOLA  
 Name of Applicant(s)/Holder(s): 100% MERLIN DIAMONDS LIMITED\*  
 [ACN. 009 153 119]

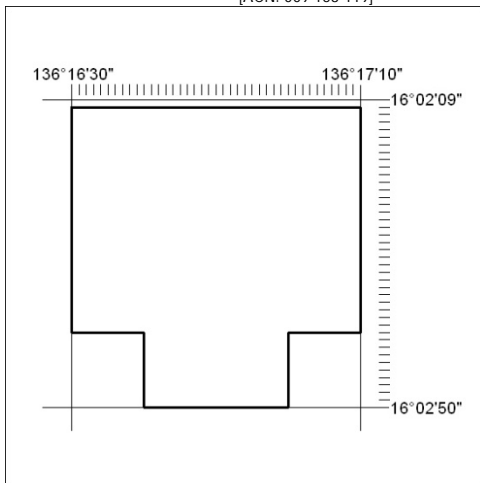


652/16

Mineral Titles Act

NOTICE OF LAND CEASING TO BE A MINERAL TITLE AREA

Title Type and Number: Exploration Licence 28931  
 Area Ceased on: 20 September 2016  
 Area: 2 Blocks, 1.28 sq kms  
 Locality: BORROLOOLA  
 Name of Applicant(s)/Holder(s): 100% MERLIN DIAMONDS LIMITED\*  
 [ACN. 009 153 119]



651/16